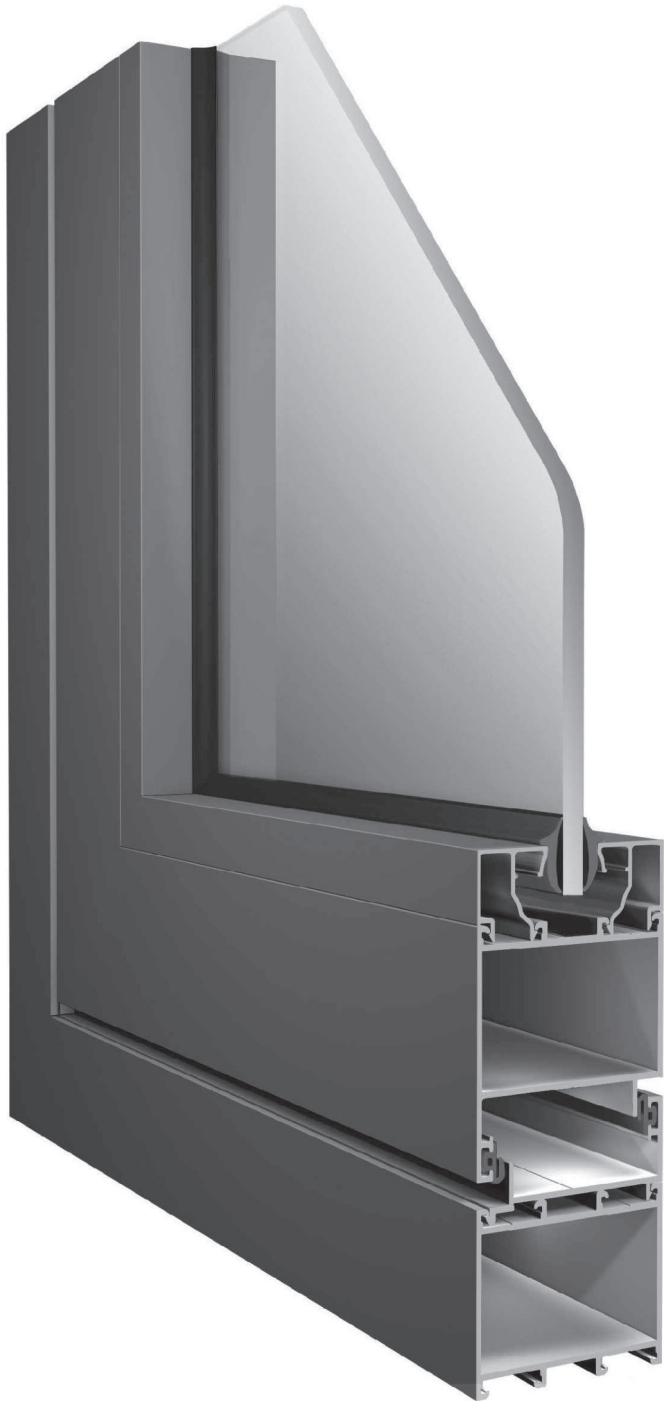


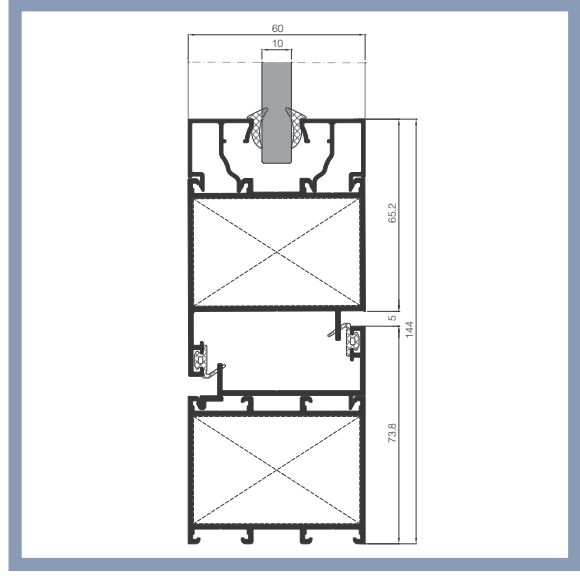
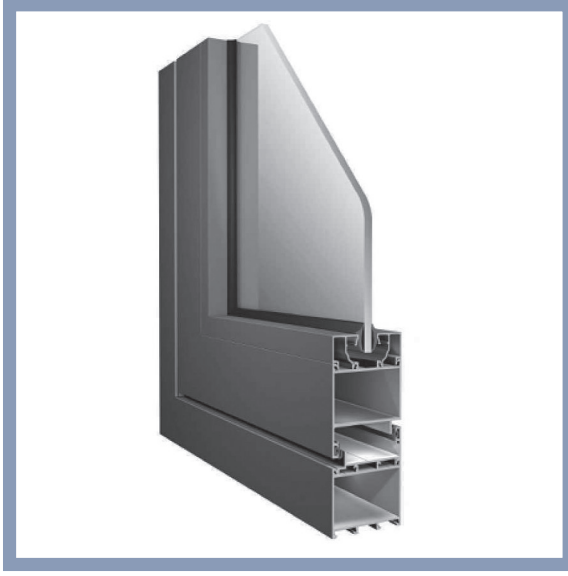
# MİMARİ KATALOG ARCHITECTURAL CATALOGUE

Alüminyum Kapı Pencere ve Giydirme Cephe Sistemleri  
Aluminium Door Window and Facade Systems

# RESCARA



# RW60



## TEKNİK ÖZELLİKLER / TECHNICAL PROPERTIES

|  |              |
|--|--------------|
| KASA DERİNLİĞİ / FRAME DEPTH                 | 60 mm        |
| KANAT DERİNLİĞİ / VENT DEPTH                 | 60 mm        |
| PROFİL ET KALINLIĞI / PROFILE WALL THICKNESS | 1,4 / 1,6 mm |
| MAKS. CAM KALINLIĞI / MAX. GLASS THICKNESS   | 36 mm        |

## KULLANIM SEÇENEKELERİ / APPLICATION ALTERNATIVES

|   | KAPI<br>DOOR | PENCERE<br>WINDOW |
|---|--------------|-------------------|
| İÇE AÇILIR HEMYÜZ KAPI / INWARD OPENING COPLANAR DOOR   | •            |                   |
| DIŞA AÇILIR HEMYÜZ KAPI / OUTWARD OPENING COPLANAR DOOR | •            |                   |
| ÇARPMA KAPI / SWINGING DOOR                             | •            |                   |

# MİMARİ KATALOG ARCHITECTURAL CATALOGUE

Alüminyum Kapı Pencere ve Giydirme Cephe Sistemleri  
Aluminium Door Window and Facade Systems



Rescara Sistem Detayları  
Rescara System Details

# RW60

PROFİLLER

PROFILES

01

02

03

04

05

06

07

08

09

10

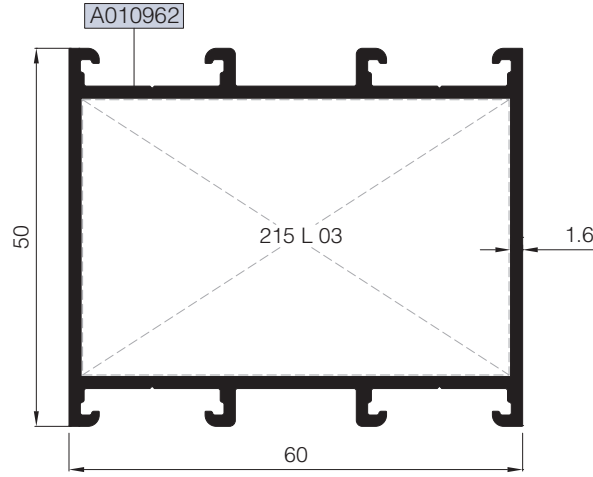
11

12

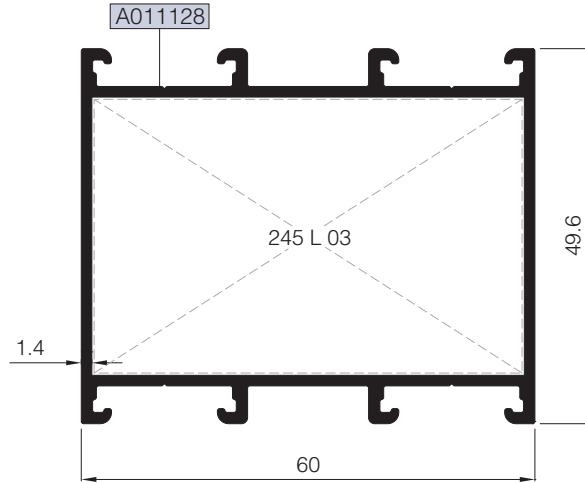
| KOD / CODE | AĞIRLIK (kg/m) / WEIGHT | Jxx cm <sup>4</sup> | Jyy cm <sup>4</sup> | L m |  |
|------------|-------------------------|---------------------|---------------------|-----|--|
| RW60 F 02  | 1,102                   | 20,215              | 13,491              | 6   |  |
| RW60 F 06  | 0,997                   | 18,287              | 12,290              | 6   |  |
|            |                         |                     |                     |     |  |



- 01
- 02
- 03
- 04
- 05
- 06
- 07
- 08
- 09
- 10
- 11
- 12

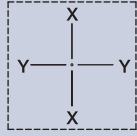
RW60 F 02



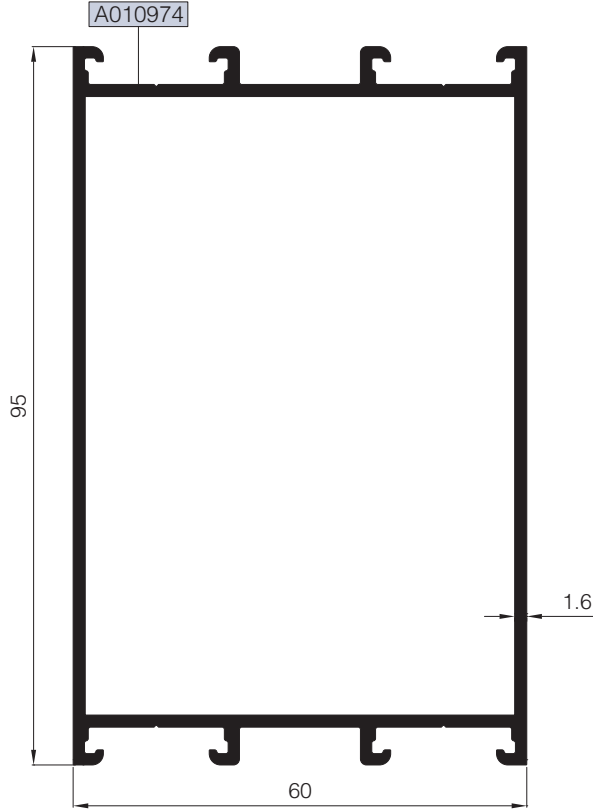
RW60 F 06



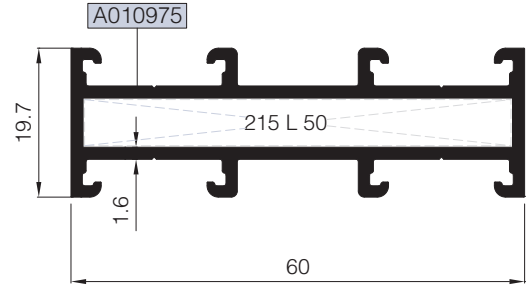
| Nr        |         |  L m | KESİM ÖLÇÜSÜ<br>CUTTING SIZE |  AKS. KODU<br>ACS. CODE |
|-----------|---------|---|------------------------------|--|
| RW60 F 02 | A010962 | 25 L 03 (A002021)   | 56,5 mm                      | 215 L 03   |
| RW60 F 06 | A011128 | 25 L 03 (A002021)   | 56,8 mm                      | 245 L 03   |

| KOD / CODE | AĞIRLIK (kg/m) / WEIGHT | Jxx cm <sup>4</sup> | Jyy cm <sup>4</sup> | L m |   |
|------------|-------------------------|---------------------|---------------------|-----|---|
| RW60 F 03  | 1,492                   | 32,496              | 67,929              | 6   |  |
| RW60 F 04  | 0,839                   | 11,946              | 0,923               | 6   |   |
| RW60 F 05  | 1,912                   | 128,959             | 27,984              | 6   |   |

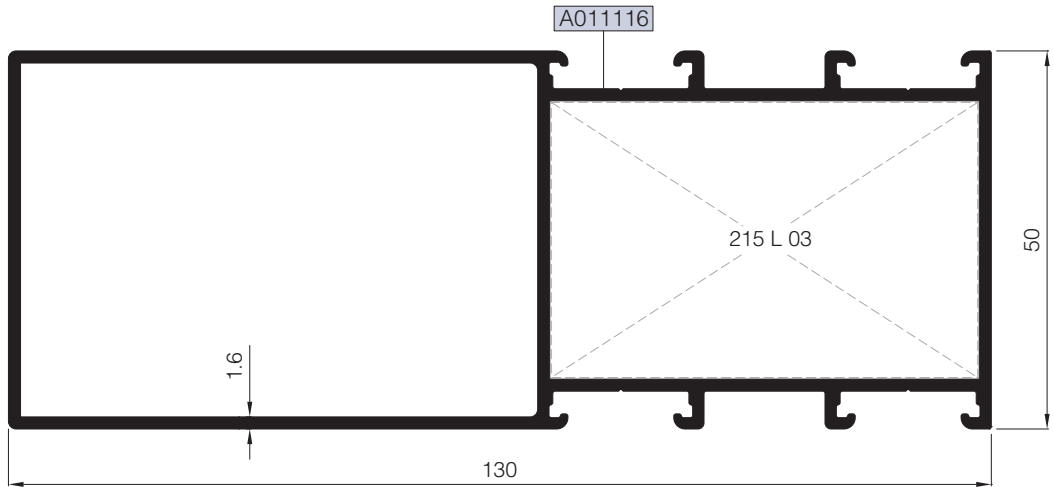
RW60 F 03





RW60 F 04



RW60 F 05



| Nr        |         |  | KESİM ÖLÇÜSÜ<br>CUTTING SIZE |  AKS. KODU<br>ACS. CODE |
|-----------|---------|---|------------------------------|--|
| RW60 F 04 | A010975 | 25 L 50 (A010838)   | 56,5 mm                      | 215 L 50   |
| RW60 F 05 | A011116 | 25 L 03 (A002021)   | 56,5 mm                      | 215 L 03   |

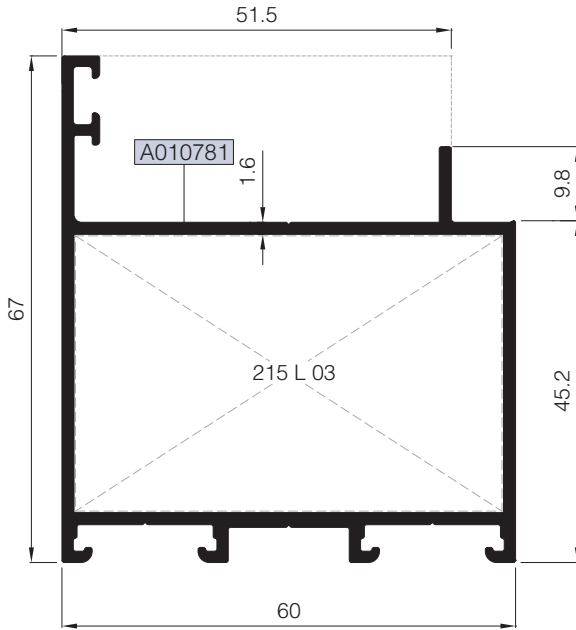
# KANAT PROFİLLERİ

## VENT PROFILES

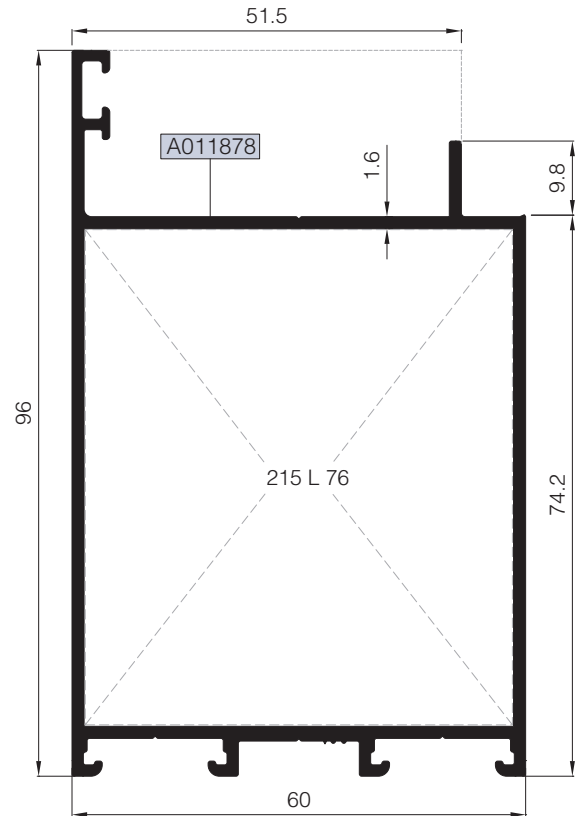
# RW60

| KOD / CODE | AĞIRLIK (kg/m) / WEIGHT | Jxx cm <sup>4</sup> | Jyy cm <sup>4</sup> | L m |  |
|------------|-------------------------|---------------------|---------------------|-----|--|
| RW60 V 01  | 1,162                   | 22,715              | 18,319              | 6   |  |
| RW60 V 03  | 1,047                   | 20,198              | 15,788              | 6   |  |
| RW60 V 04  | 1,409                   | 49,740              | 30,233              | 6   |  |

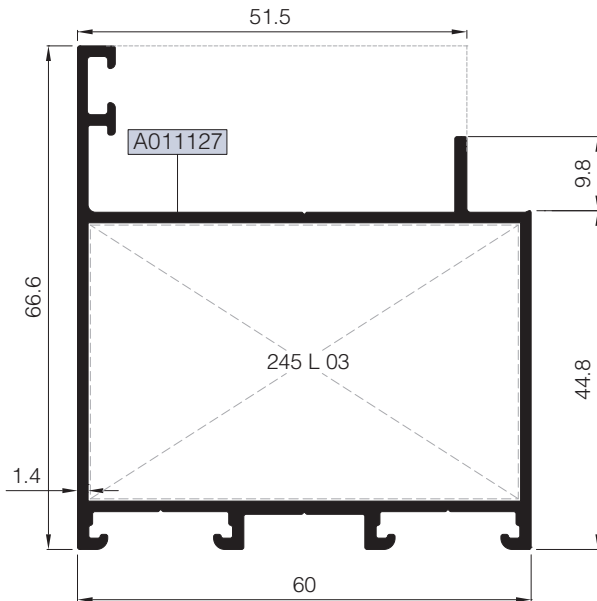
### RW60 V 01





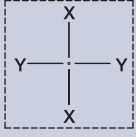
### RW60 V 04



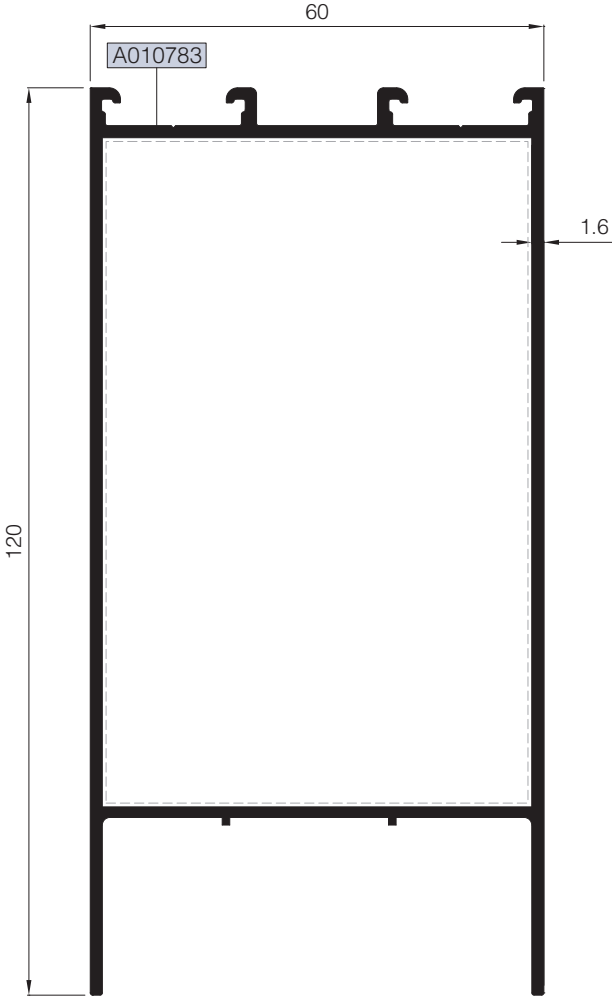
### RW60 V 03



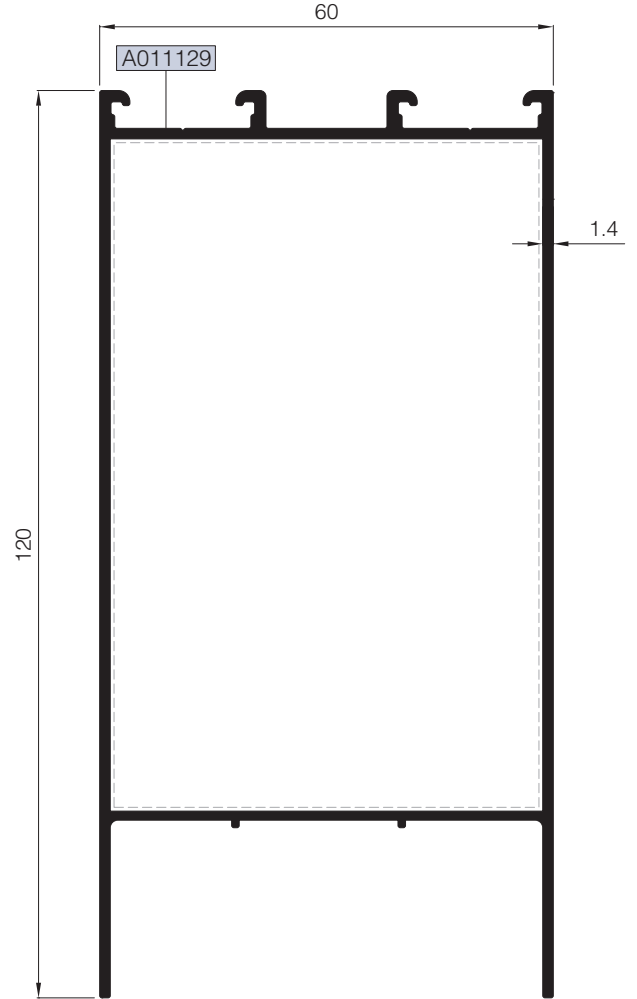
| Nr        |         |  L m | KESİM ÖLÇÜSÜ<br>CUTTING SIZE |  AKS. KODU<br>ACS. CODE |
|-----------|---------|---|------------------------------|--|
| RW60 V 01 | A010781 | 25 L 03 (A002021)   | 56,5 mm                      | 215 L 03   |
| RW60 V 03 | A011127 | 25 L 03 (A002021)   | 56,8 mm                      | 245 L 03   |
| RW60 V 04 | A011878 | 25 L 76 (A011915)   | 56,5 mm                      | 215 L 76   |

| KOD / CODE | AĞIRLIK (kg/m) / WEIGHT | Jxx cm <sup>4</sup> | Jyy cm <sup>4</sup> | L m |   |
|------------|-------------------------|---------------------|---------------------|-----|---|
| RW60 K 01  | 1,597                   | 38,220              | 91,648              | 6   |  |
| RW60 K 02  | 1,414                   | 33,947              | 81,855              | 6   |   |
|            |                         |                     |                     |     |   |

RW60 K 01



RW60 K 02



01

02

03

04

05

06

07

08

09

10

11

12

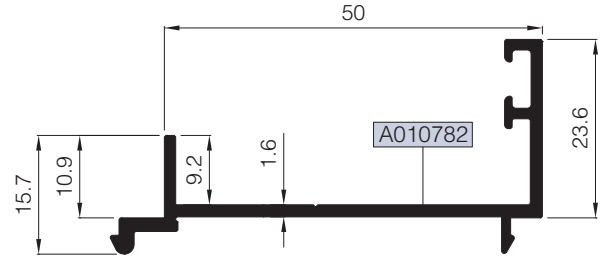
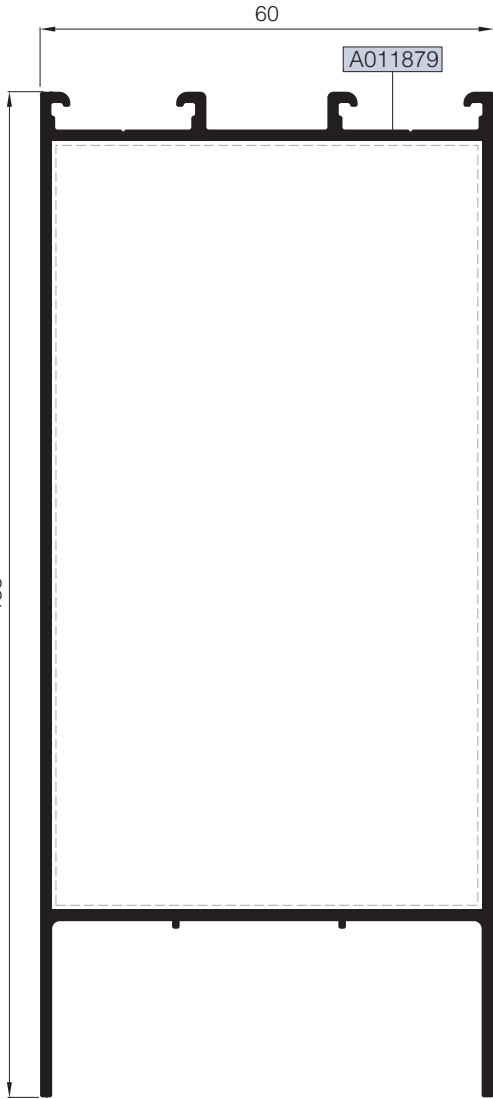
**ETEK VE ADAPTÖR PROFİLLERİ**  
**KICK PLATE AND ADAPTER PROFILES**

# RW60

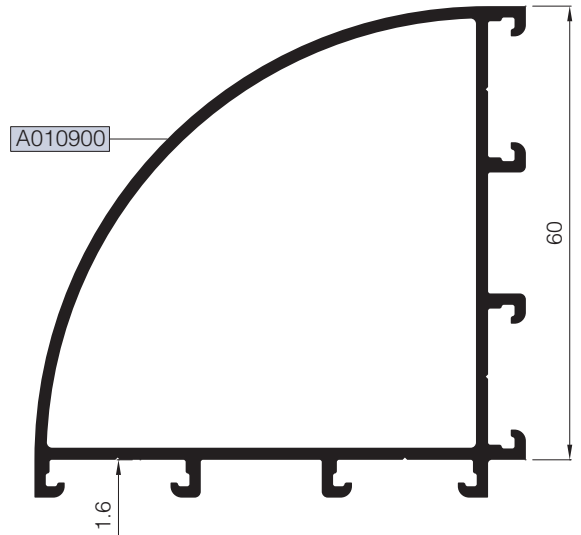
| KOD / CODE | AĞIRLIK (kg/m) / WEIGHT | Jxx cm4 | Jyy cm4 | L m |  |
|------------|-------------------------|---------|---------|-----|--|
| RW60 K 03  | 1,741                   | 42,069  | 124,474 | 6   |  |
| RW60 A 01  | 0,431                   | ----    | ----    | 6   |  |
| RW60 A 04  | 1,166                   | ----    | ----    | 6   |  |
| RW60 A 05  | 0,706                   | ----    | ----    | 6   |  |
| RW60 A 06  | 0,576                   | ----    | ----    | 6   |  |
| RW60 A 09  | 0,301                   | ----    | ----    | 6   |  |
| T55 A 13   | 0,220                   | ----    | ----    | 6   |  |

**RW60 K 03**

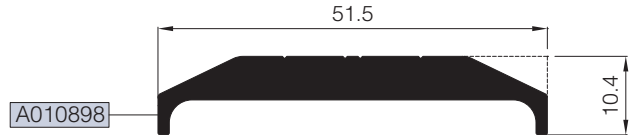
**RW60 A 01**



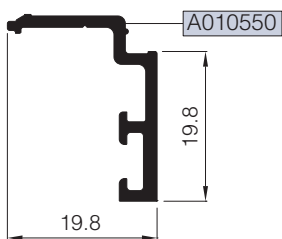
**RW60 A 04**



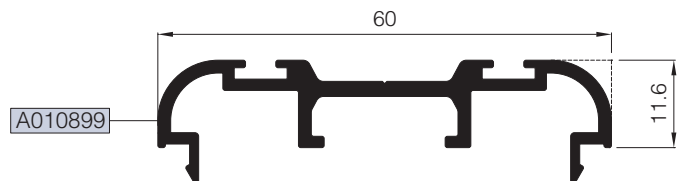
**RW60 A 05**



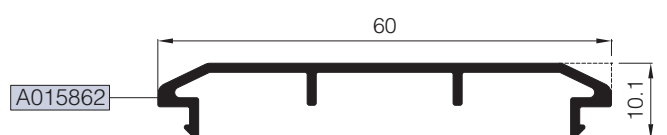
**T55 A 13**



**RW60 A 06**

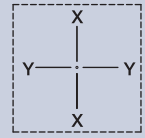


**RW60 A 09**





| KOD / CODE | AĞIRLIK (kg/m) / WEIGHT | L m | KOD / CODE | AĞIRLIK (kg/m) / WEIGHT | L m |
|------------|-------------------------|-----|------------|-------------------------|-----|
| 25 G 21    | 0,196                   | 6   | 25 G 13    | 0,278                   | 6   |
| 25 G 11    | 0,224                   | 6   | 25 G 14    | 0,280                   | 6   |
| 25 G 10    | 0,225                   | 6   | 25 G 15    | 0,282                   | 6   |
| 25 G 09    | 0,229                   | 6   | 25 G 16    | 0,285                   | 6   |
| 25 G 12    | 0,270                   | 6   | 25 G 17    | 0,289                   | 6   |



01

02

03

04

05

06

07

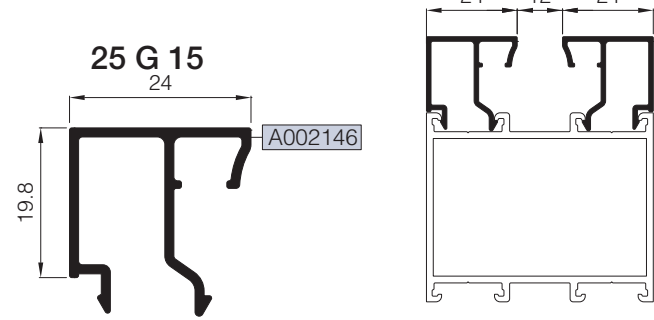
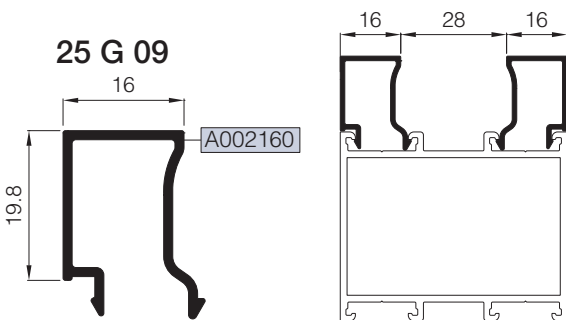
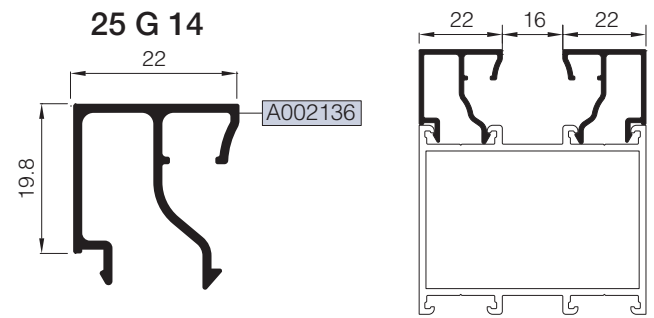
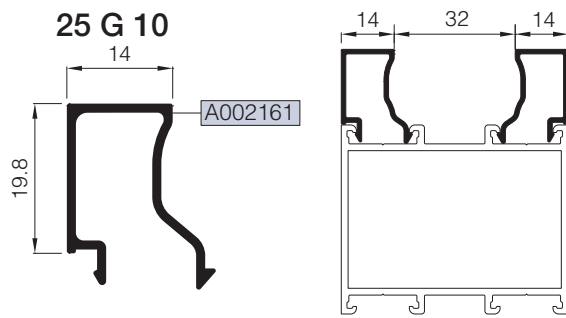
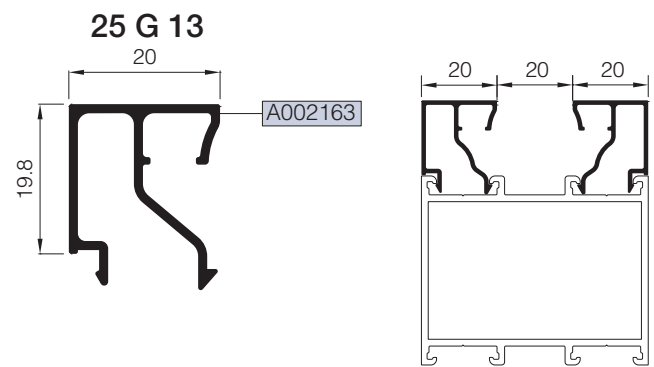
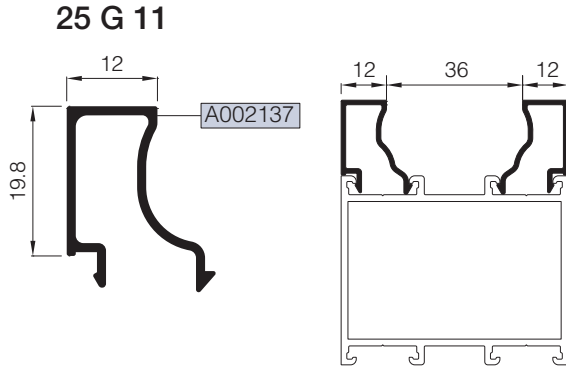
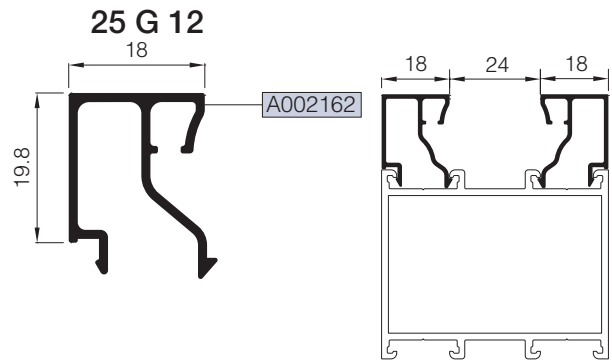
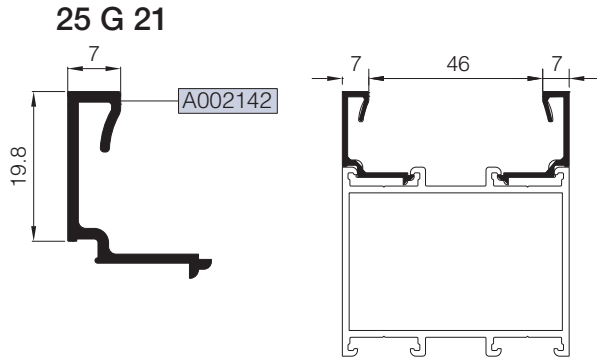
08

09

10

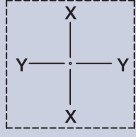
11

12

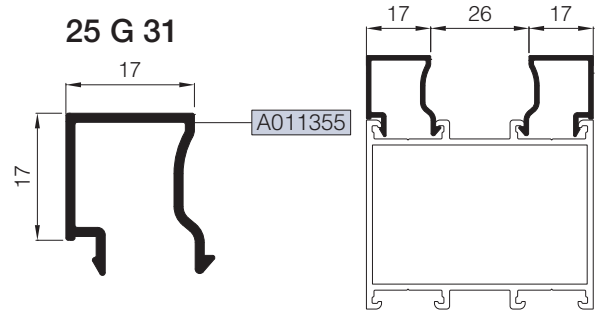
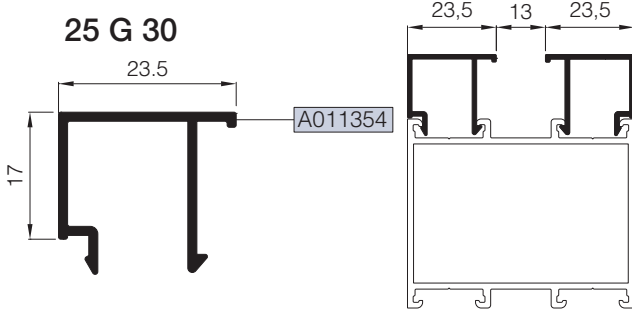


**CAM ÇITA PROFİLLERİ**  
**GLAZING BEAD PROFILES**

# RW60

| KOD / CODE | AĞIRLIK (kg/m) / WEIGHT | Jxx cm4 | Jyy cm4 | L m |   |
|------------|-------------------------|---------|---------|-----|---|
| 25 G 30    | 0,229                   | -----   | -----   | 6   |  |
| 25 G 31    | 0,209                   | -----   | -----   | 6   |   |
|            |                         |         |         |     |   |

- 01
- 02
- 03
- 04
- 05
- 06
- 07
- 08
- 09
- 10
- 11
- 12



|                             |            |            |            |  |
|-----------------------------|------------|------------|------------|--|
| PROFİL KODU (PROFILE CODE)  | 25 L 03    | 25 L 50    | 25 L 76    |  |
| FABRİKA KODU (FACTORY CODE) | A002021    | A010838    | A011915    |  |
| AĞIRLIK (WEIGHT)            | 4,315 kg/m | 1,748 kg/m | 9,507 kg/m |  |
| ÇİZİM (DRAWING)             |            |            |            |  |

|                             |            |  |  |  |
|-----------------------------|------------|--|--|--|
| PROFİL KODU (PROFILE CODE)  | RW60 A 08  |  |  |  |
| FABRİKA KODU (FACTORY CODE) | A010976    |  |  |  |
| AĞIRLIK (WEIGHT)            | 0,967 kg/m |  |  |  |
| ÇİZİM (DRAWING)             |            |  |  |  |

| KÖŞE TAKOZLARI (CORNER CLEATS) |         |                   |                              |                        |
|--------------------------------|---------|-------------------|------------------------------|------------------------|
| Nr                             |         | L m               | KESİM ÖLÇÜSÜ<br>CUTTING SIZE | AKS. KODU<br>ACS. CODE |
| RW60F 02                       | A010962 | 25 L 03 (A002021) | 56,5 mm                      | 215 L 03               |
| RW60F 04                       | A010975 | 25 L 50 (A010838) | 56,5 mm                      | 215 L 50               |
| RW60F 05                       | A011116 | 25 L 03 (A002021) | 56,5 mm                      | 215 L 03               |
| RW60F 06                       | A011128 | 25 L 03 (A002021) | 56,8 mm                      | 245 L 03               |
| RW60V 01                       | A010781 | 25 L 03 (A002021) | 56,5 mm                      | 215 L 03               |
| RW60V 03                       | A011127 | 25 L 03 (A002021) | 56,8 mm                      | 245 L 03               |
| RW60V 04                       | A011878 | 25 L 76 (A011915) | 56,5 mm                      | 215 L 76               |

| ORTA KAYIT BAĞLANTI (MULLION CONNECTION PIECE) |         |                     |                              |
|--|---------|---------------------|------------------------------|
| Nr   |         | L m                 | KESİM ÖLÇÜSÜ<br>CUTTING SIZE |
| RW60F 02                                       | A010962 | RW60 A 08 (A010976) | 36,5 mm                      |
| RW60F 03                                       | A010974 | RW60 A 08 (A010976) | 81,5 mm                      |
| RW60F 04                                       | A010975 | RW60 A 08 (A010976) | 6,2 mm                       |
| RW60F 05                                       | A011116 | RW60 A 08 (A010976) | 36,5 mm                      |
| RW60F 06                                       | A011128 | RW60 A 08 (A010976) | 36,5 mm                      |
| RW60K 01                                       | A010783 | RW60 A 08 (A010976) | 88,2 mm                      |
| RW60K 02                                       | A011129 | RW60 A 08 (A010976) | 88,6 mm                      |
| RW60K 03                                       | A011879 | RW60 A 08 (A010976) | 101,1 mm                     |

STOKTA BULUNAN SİSTEM PROFİLLERİNİN LİSTESİ (LIST OF SYSTEM PROFILES IN STOCK)

| Nr        | MIN. SİPARİŞ MİKTARI<br>MIN. ORDER QUANTITY |
|-----------|---|
| RW60 F 02 | 75 kg                                       |
| RW60 F 03 | 75 kg                                       |
| RW60 F 04 | 75 kg                                       |
| RW60 F 06 | 75 kg                                       |
| RW60 V 01 | 75 kg                                       |
| RW60 V 03 | 75 kg                                       |
| RW60 K 01 | 75 kg                                       |
| RW60 K 02 | 75 kg                                       |
| RW60 A 01 | 75 kg                                       |
| RW60 A 04 | 75 kg                                       |
| RW60 A 05 | 75 kg                                       |
| RW60 A 06 | 75 kg                                       |
| RW60 A 08 | 75 kg                                       |

\* STOKTA BULUNMAYAN TÜM PROFİLLER İÇİN MİNİMUM SİPARİŞ MİKTARI 300 KG'DİR.  
MINIMUM ORDER QUANTITY FOR ALL THE PROFILES THAT ARE NOT IN STOCK IS 300 KG.



# MİMARİ KATALOG ARCHITECTURAL CATALOGUE

Alüminyum Kapı Pencere ve Giydirme Cephe Sistemleri  
Aluminium Door Window and Facade Systems



Rescara Sistem Detayları  
Rescara System Details

# RW60

DETAYLAR

DETAILS

01

02

03

04

05

06

07

08

09

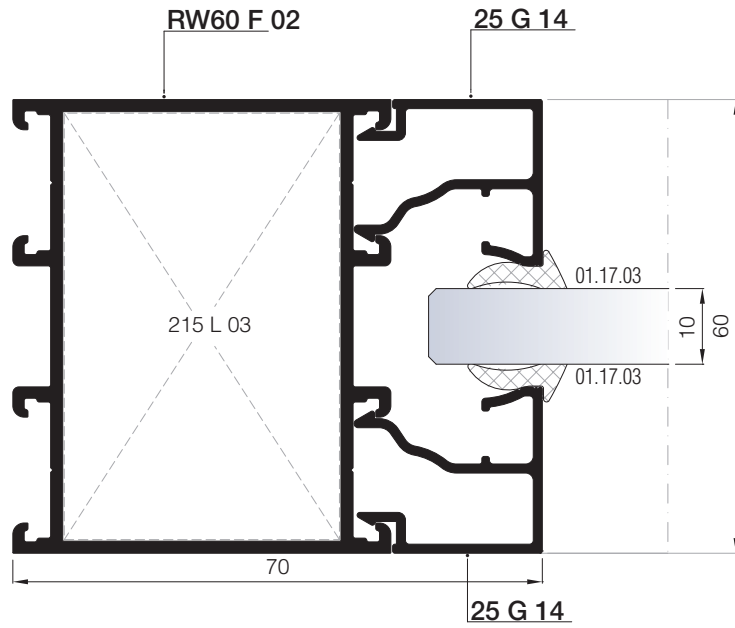
10

11

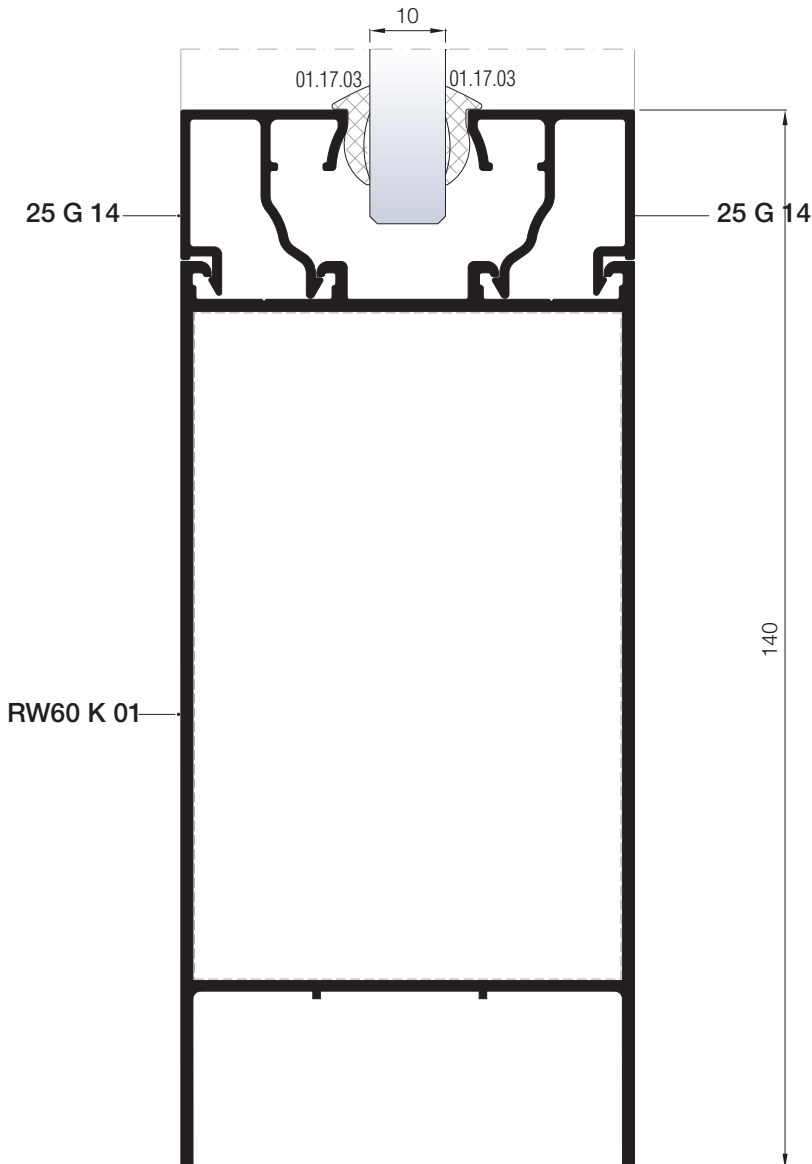
12

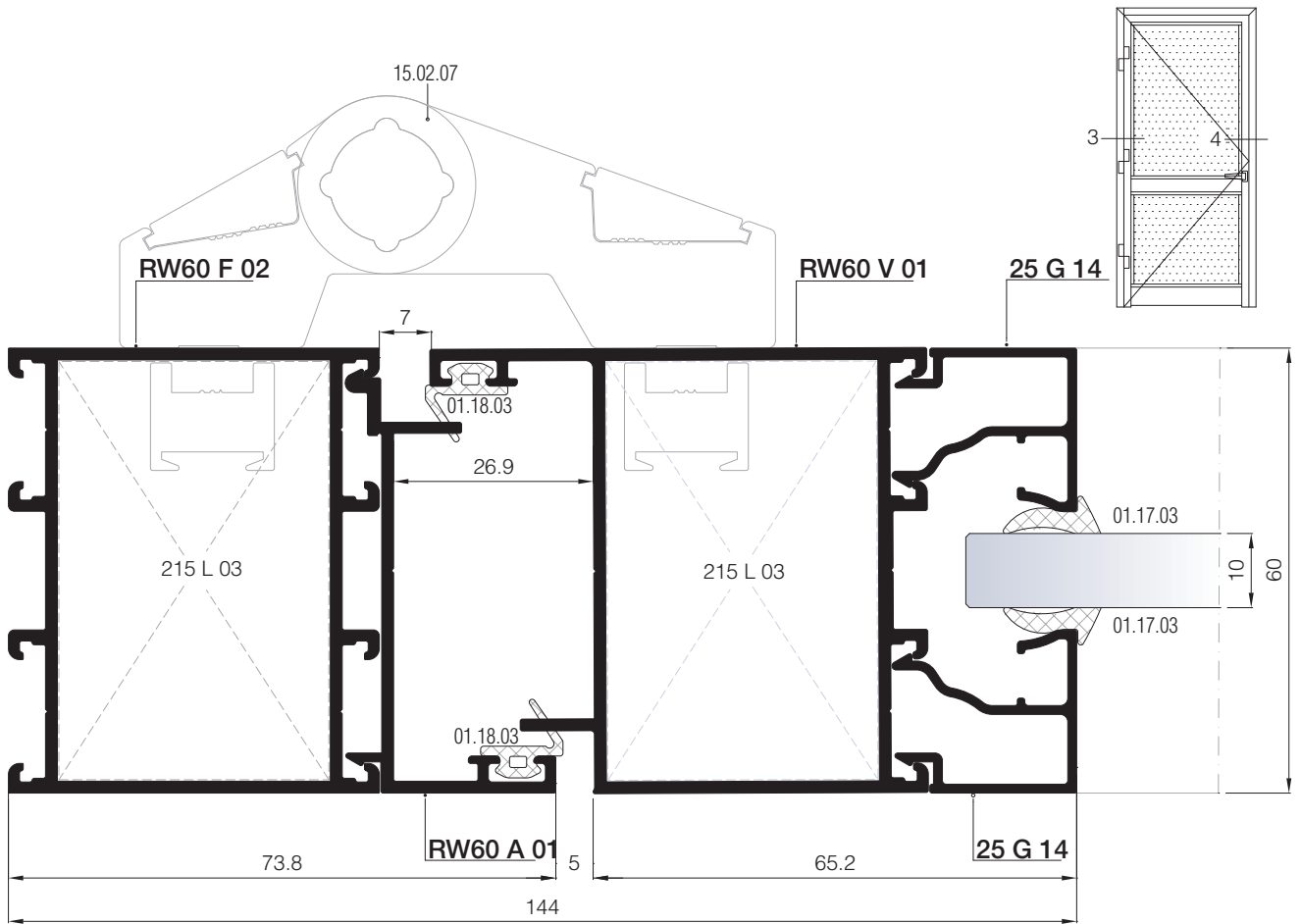
- 01
- 02
- 03
- 04
- 05
- 06
- 07
- 08
- 09
- 10
- 11
- 12

1 DETAYI  
DETAIL

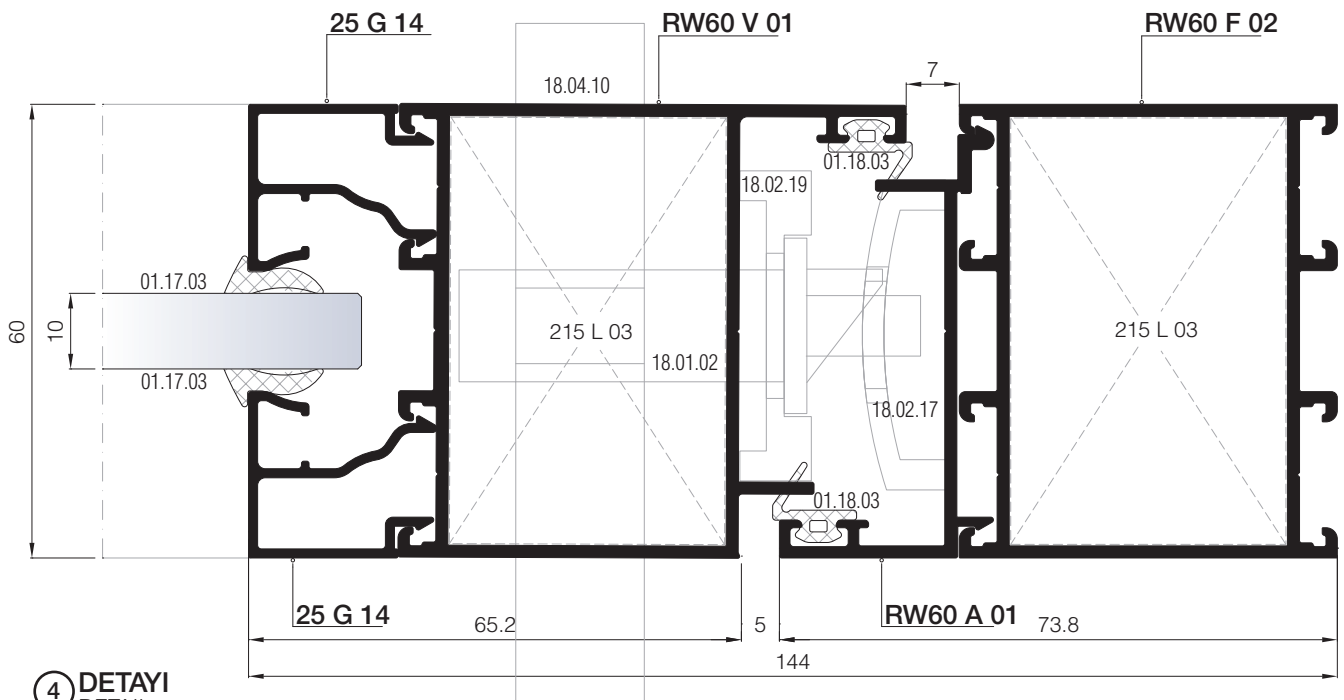


2 DETAYI  
DETAIL





③ DETAYI  
DETAIL



④ DETAYI  
DETAIL

01

02

03

04

05

06

07

08

09

10

11

12

01

02

03

04

05

06

07

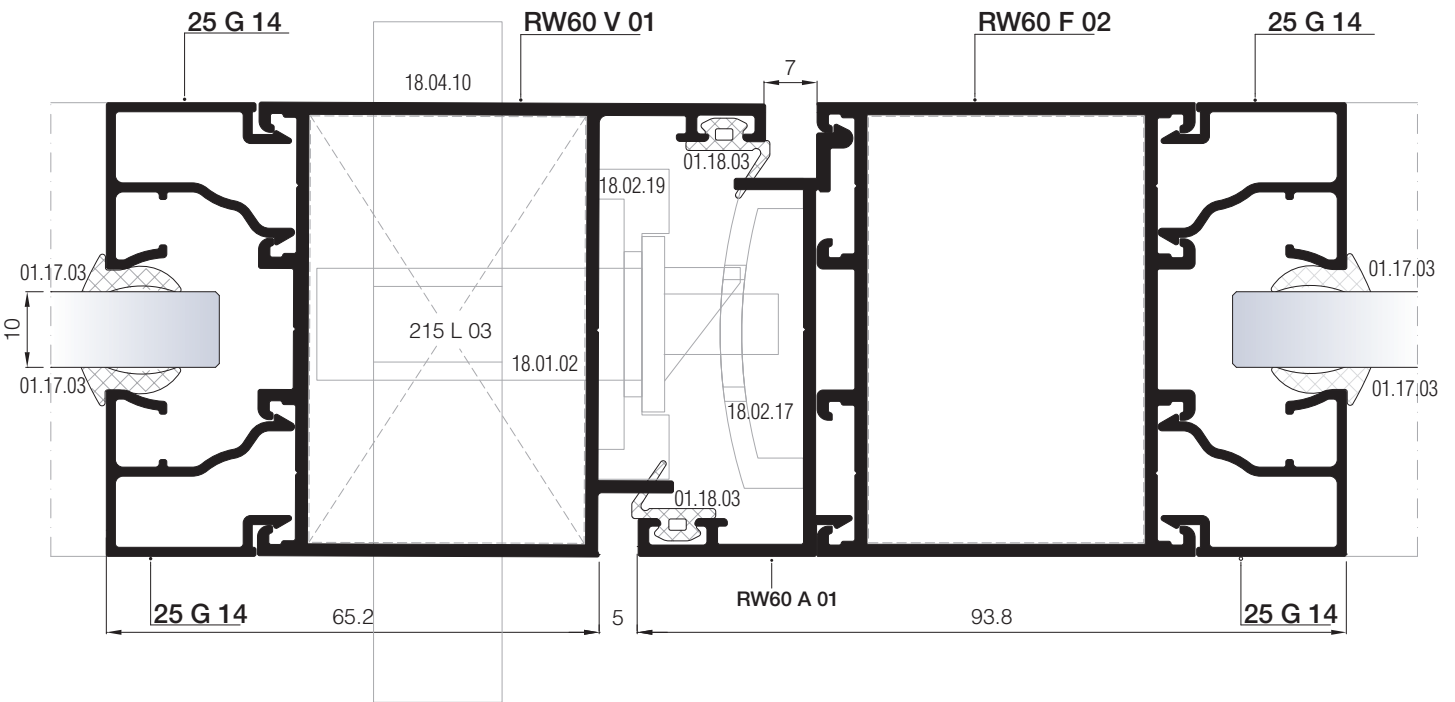
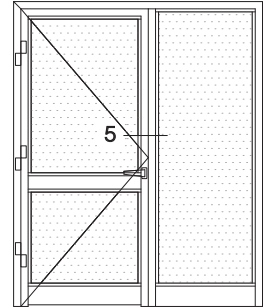
08

09

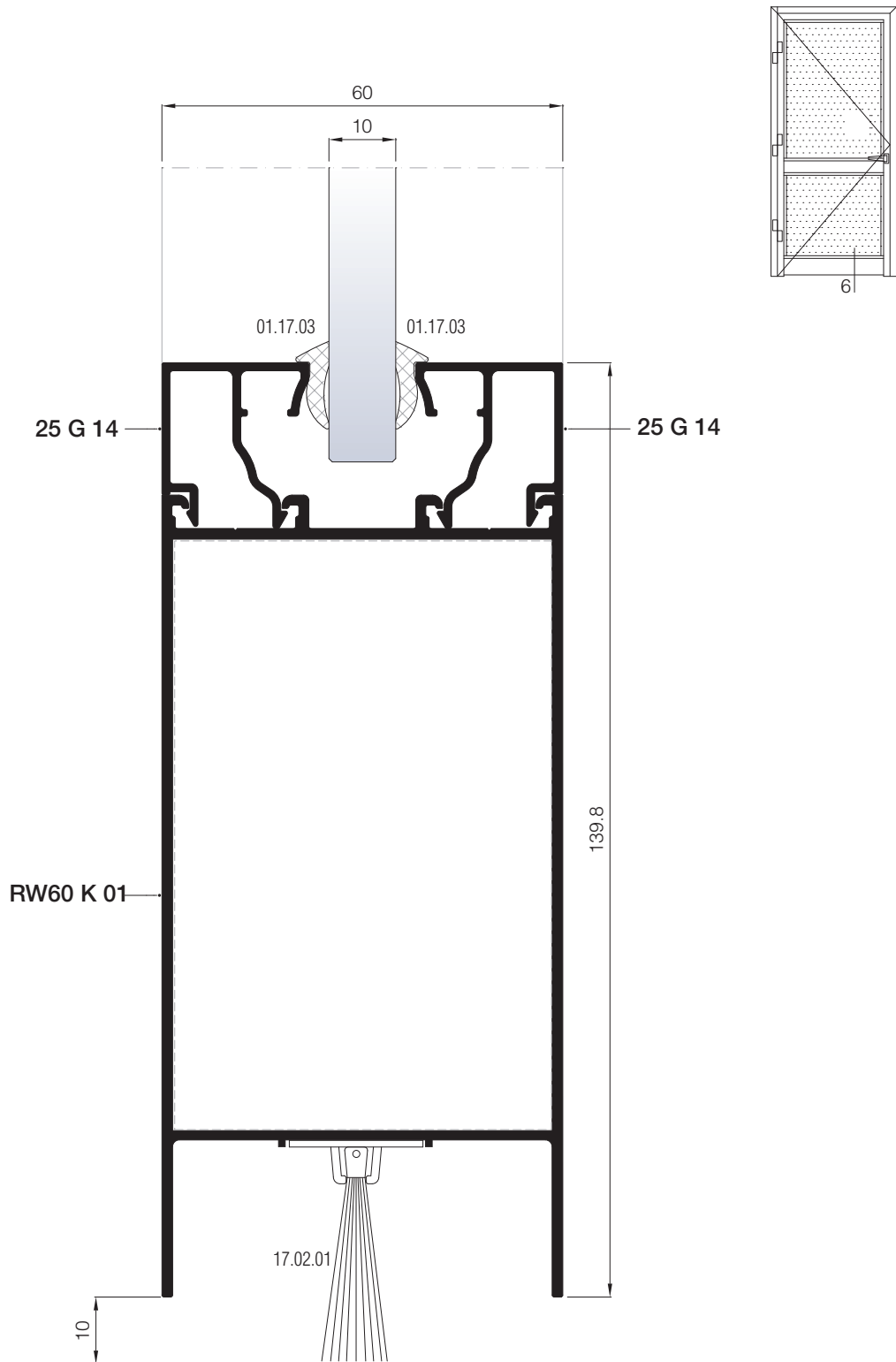
10

11

12







01

02

03

04

05

06

07

08

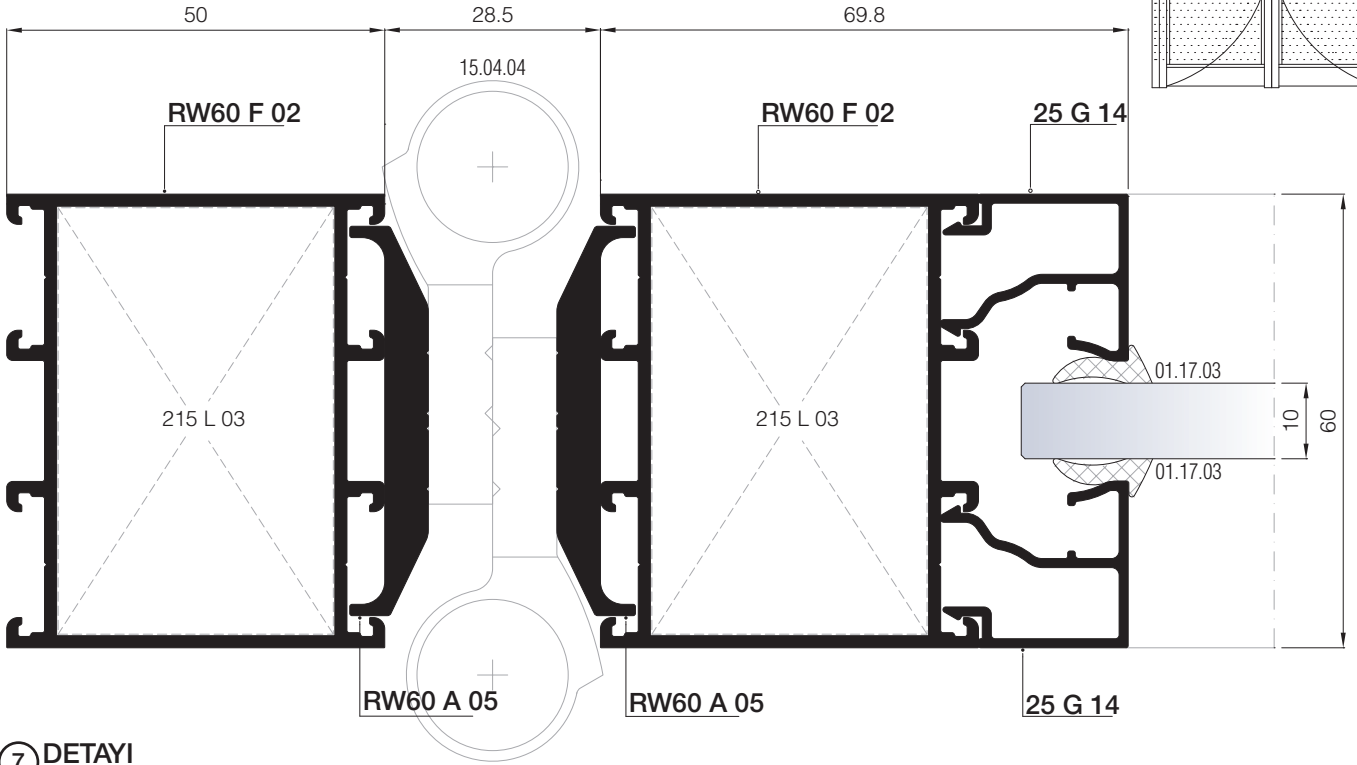
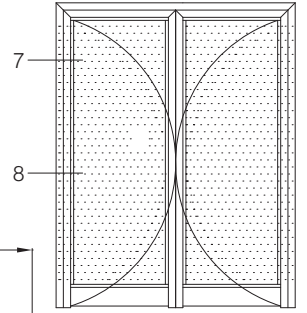
09

10

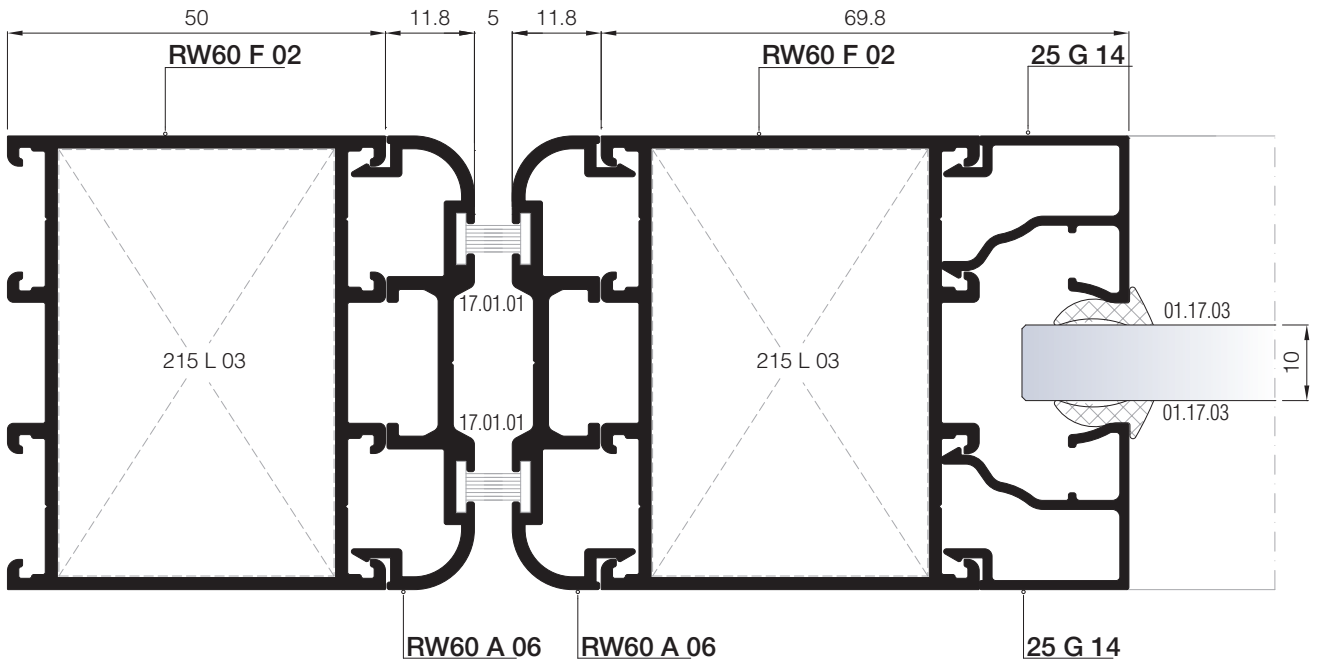
11

12

ÇARPMA KAPI DETAYLARI  
SWINGING DOOR DETAILS

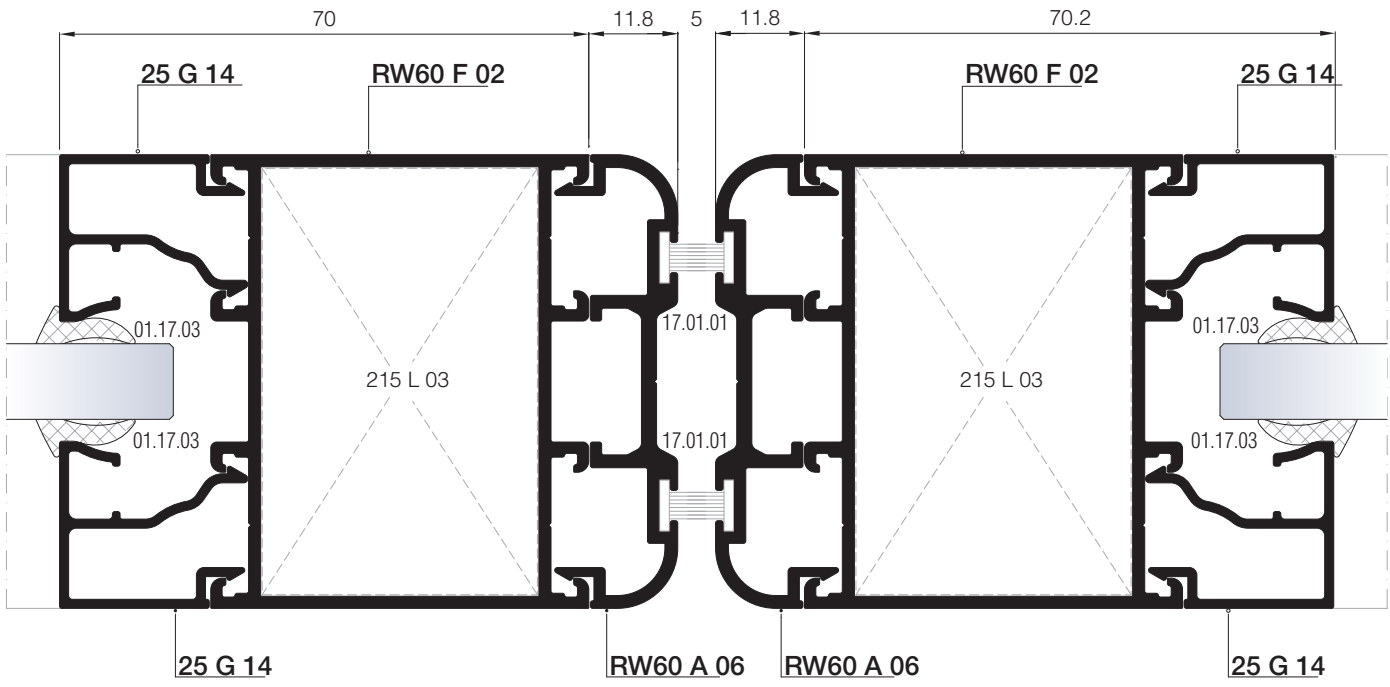
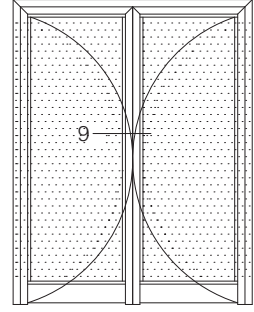


7 DETAYI  
DETAIL



8 DETAYI  
DETAIL

ÇARPMA KAPI DETAYLARI  
SWINGING DOOR DETAILS



01

02

03

04

05

06

07

08

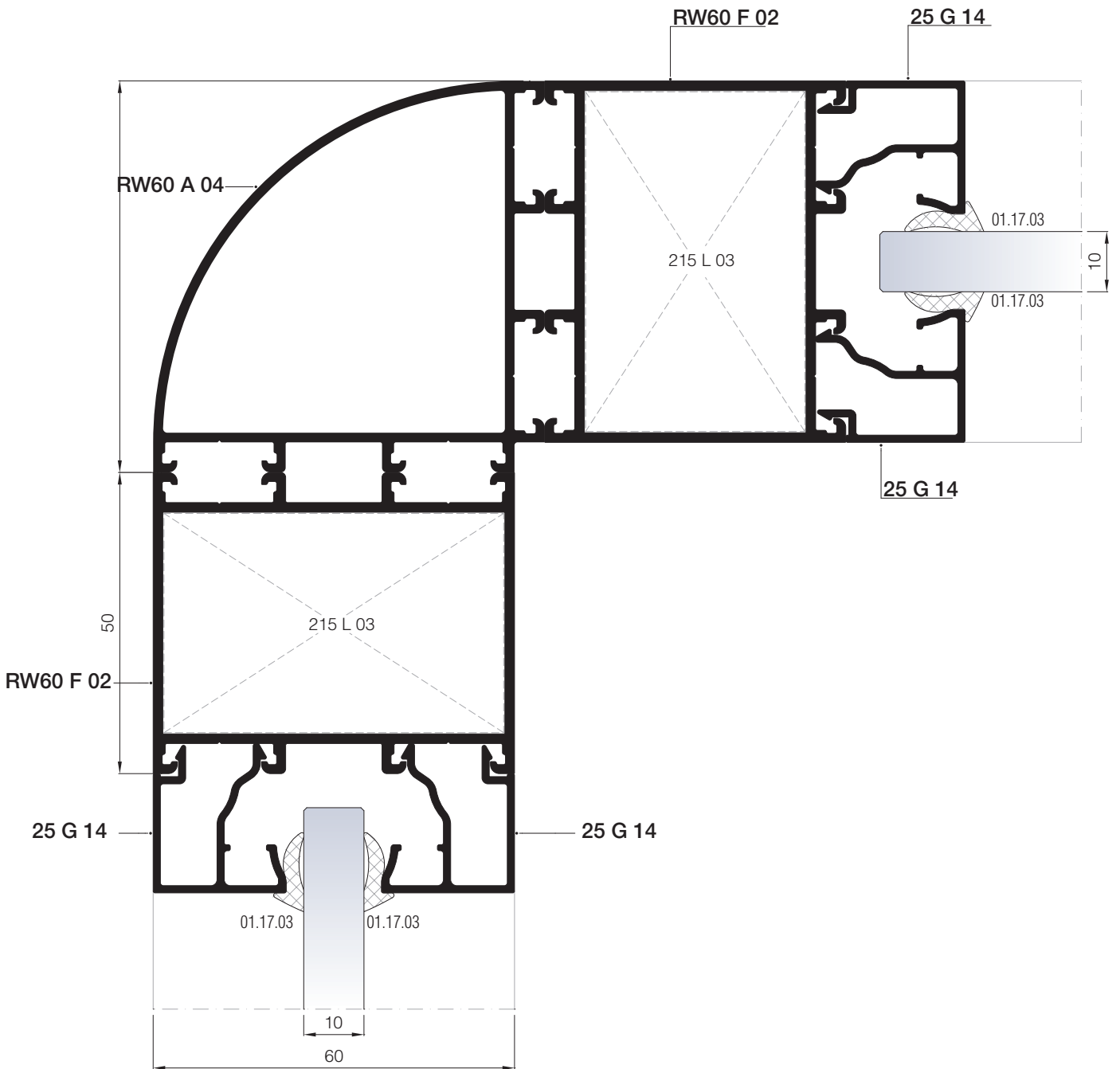
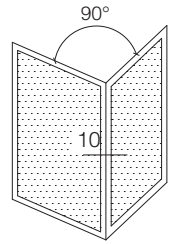
09

10

11

12

- 01
- 02
- 03
- 04
- 05
- 06
- 07
- 08
- 09
- 10
- 11
- 12



# MİMARİ KATALOG ARCHITECTURAL CATALOGUE

Alüminyum Kapı Pencere ve Giydirme Cephe Sistemleri  
Aluminium Door Window and Facade Systems



Rescara Sistem Detayları  
Rescara System Details

# RW60

AKSESUARLAR

ACCESSORIES

01

02

03

04

05

06

07


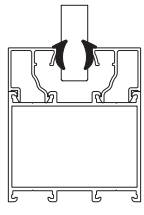

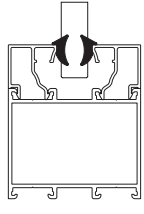

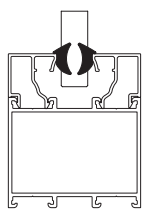

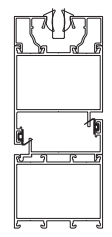

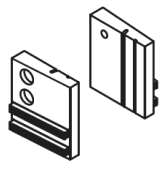
08

09

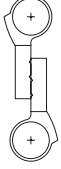
10

11

12

|    |   |   |   |  |  |  |
|----|---|---|---|--|--|--|
| 01 |    | <b>01.17.03</b><br>İÇ CAM FİTİLİ 2,8 mm<br>INSIDE GLAZING GASKET 2,8 mm<br><br>Malzeme / Material : EPDM<br>Ağırlık / Weight : 59 gr/m<br>Paket / Package : 254m / 15 kg  |    |  |  |  |
| 02 |   |   |   |  |  |  |
| 03 |    | <b>01.17.04</b><br>İÇ CAM FİTİLİ 3,6 mm<br>INSIDE GLAZING GASKET 3,6 mm<br><br>Malzeme / Material : EPDM<br>Ağırlık / Weight : 71 gr/m<br>Paket / Package : 210m / 15 kg  |    |  |  |  |
| 04 |   |   |   |  |  |  |
| 05 |   | <b>01.17.05</b><br>İÇ CAM FİTİLİ 4,6 mm<br>INSIDE GLAZING GASKET 4,6 mm<br><br>Malzeme / Material : EPDM<br>Ağırlık / Weight : 89 gr/m<br>Paket / Package : 168 m / 15 kg |   |  |  |  |
| 06 |   |   |   |  |  |  |
| 07 |  | <b>01.18.03</b><br>DIŞ BİNİ FİTİLİ<br>OUTSIDE ACOUSTICAL GASKET<br><br>Malzeme / Material : EPDM<br>Ağırlık / Weight : 41 gr/m<br>Paket / Package : 365m / 15 kg          |  |  |  |  |
| 08 |   |   |   |  |  |  |
| 09 |  | <b>17.01.01</b><br>KİL FİTİL 670x700<br>BRUSH 670x700<br><br>Malzeme / Material : Polipropilen<br>Polypropylene<br>Paket / Package : 275 m                                |  |  |  |  |
| 10 |   |   |   |  |  |  |
| 11 |   |   |   |  |  |  |
| 12 |   |   |   |  |  |  |

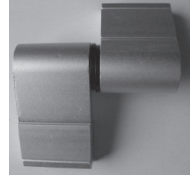
## KAPI MENTEŞELERİ / DOOR HINGES



15.04.04

ÇARPMA KAPI MENTEŞESİ  
SWING DOOR HINGE

Malzeme / Material: Paslanmaz Çelik  
Stainless Steel

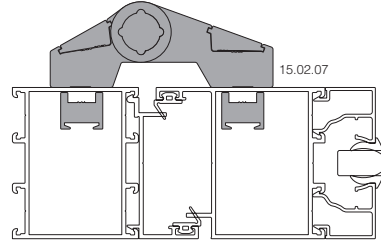
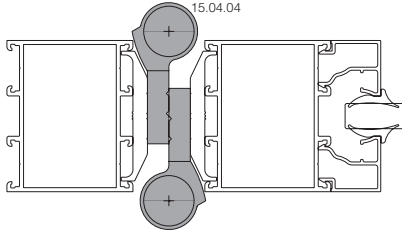


15.02.09

YERLİ KAPI MENTEŞESİ  
LOCAL HINGE FOR DOORS

Renk / Colour: Siyah-Beyaz-Gri-Eloksal  
Black-White-Grey-Anodized

100 kg için 2 adet kullanılmalıdır. / Should be used 2 for 100 kg.  
Max. kanat ölçüsü 900x2200. / Max. vent dimension 900x2200  
**TS EN 1935**



Ölçek/Scale: 1/3

01

02

03

04

05

06

07

08

09

10

11

12

## KAPI KOLLARI / DOOR HANDLES

01

02

03

04

05

06

07

08

09

10

11

12



07.14.06

GIESSE KAPI KOLU  
GIESSE DOOR HANDLE

Renk / Colour: Siyah-Beyaz-Gri  
Black-White-Grey



07.14.07

RESCARA GLOBAL KAPI KOLU  
RESCARA GLOBAL DOOR HANDLE

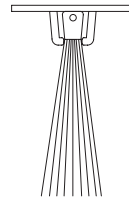
Renk / Colour: Siyah-Beyaz-Gri  
Black-White-Grey



07.14.08

RESCARA MULETA KAPI KOLU  
RESCARA GLOBAL DOOR HANDLE

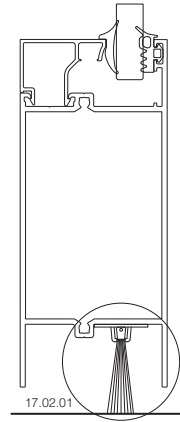
Renk / Colour: Siyah-Beyaz-Gri  
Black-White-Grey



17.02.01

KAPI ALTI FIRÇASI  
BRUSH FOR DOORS

Malzeme / Material: Polipropilen  
Polypropylene



Ölçek/Scale: 1/3



KAPI KOLLARI / DOOR HANDLES



07.17.19

AKBANK KAPI KOLU  
DOOR HANDLE

Renk / Colour: Siyah-Beyaz-Gri-Eloksal  
Black-White-Grey-Anodized

Ölçüler / Dimensions: H:200 cm



07.13.10

AKBANK KOL APARATI  
DOOR HANDLE

Renk / Colour: Siyah-Beyaz-Gri-Eloksal  
Black-White-Grey-Anodized

| KOD CODE | Ø (mm) | A (mm) | B (mm) |
|----------|--------|--------|--------|
| 07.17.10 | 25     | 200    | 130    |
| 07.17.11 | 25     | 300    | 130    |
| 07.17.02 | 25     | 400    | 130    |
| 07.17.27 | 25     | 500    | 160    |

| KOD CODE | Ø (mm) | A (mm) | B (mm) | C (mm) |
|----------|--------|--------|--------|--------|
| 07.17.06 | 25     | 200    | 130    | 80     |
| 07.17.29 | 25     | 250    | 130    | 80     |
| 07.17.30 | 25     | 300    | 130    | 80     |
| 07.17.31 | 30     | 400    | 160    | 100    |

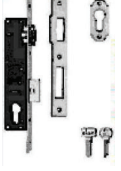
| KOD CODE | Ø (mm) | A (mm) | B (mm) |
|----------|--------|--------|--------|
| 07.17.08 | 25     | 200    | 80     |
| 07.17.35 | 25     | 300    | 80     |
| 07.17.36 | 30     | 400    | 100    |

| KOD CODE | Ø (mm) | A (mm) | B (mm) | C (mm) |
|----------|--------|--------|--------|--------|
| 07.17.32 | 25     | 200    | 130    | 80     |
| 07.17.20 | 25     | 300    | 130    | 80     |
| 07.17.33 | 30     | 350    | 160    | 100    |

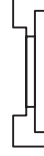
| KOD CODE | Ø (mm) | A (mm) | B (mm) |
|----------|--------|--------|--------|
| 07.17.37 | 80     | 400    | 350    |
| 07.17.22 | 80     | 500    | 450    |
| 07.17.38 | 80     | 600    | 550    |
| 07.17.39 | 80     | 700    | 650    |
| 07.17.40 | 80     | 800    | 750    |

| KOD CODE | Ø (mm) | A (mm) | B (mm) | C (mm) |
|----------|--------|--------|--------|--------|
| 07.17.23 | 25     | 900    | 180    | 80     |
| 07.17.34 | 25     | 1000   | 180    | 80     |

## KAPI KİLİTLERİ / DOOR LOCKS



18.01.01  
MAKARALI KİLİT  
MORTISE LOCK (WITH ROLLER)



18.02.19  
DİLLİ KİLİT YATAĞI  
MORTISE LOCK PLATE  
Renk / Colour: Siyah-Beyaz-Eloksal  
Black-White-Anodized



18.01.02  
DİLLİ KİLİT  
MORTISE LOCK



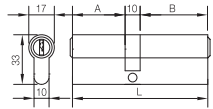
18.02.17  
DİLLİ KİLİT KARŞILIĞI  
STRIKER FOR MORTISE LOCK  
Renk / Colour: Siyah-Beyaz-Gri-Eloksal  
Black-White-Grey-Anodized



18.03.09  
KAPI SÜRGÜSÜ (KISA)  
BOLT FOR DOORS (SHORT)



18.03.10  
KAPI SÜRGÜSÜ (UZUN)  
BOLT FOR DOORS (LONG)



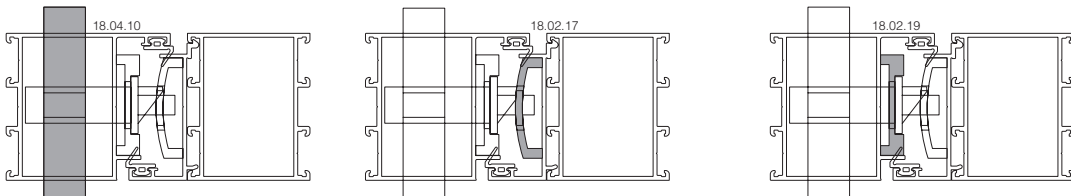
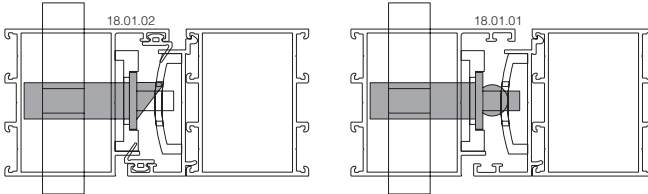
18.04.10  
BAREL  
CYLINDER

| A  | B  | L  |
|----|----|----|
| 33 | 33 | 76 |

Malzeme / Material: Krom-Nikel  
Chrome-Nickel



18.05.02  
BAREL AYNASI  
CYLINDER COVER  
Renk / Colour: Siyah-Beyaz-Gri  
Black-White-Grey



Ölçek/Scale: 1/3