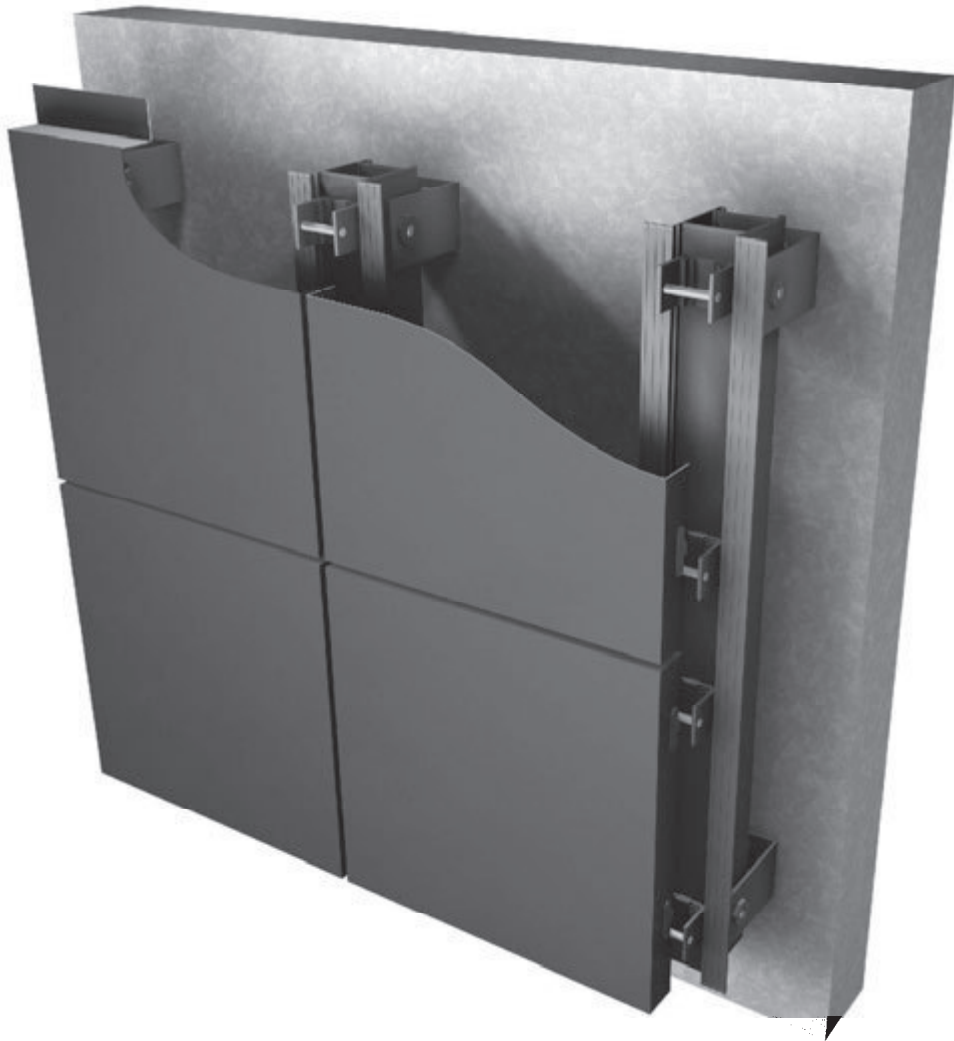


MİMARİ KATALOG ARCHITECTURAL CATALOGUE

Alüminyum Kapı Pencere ve Giydirme Cephe Sistemleri
Aluminium Window Doors and Facade Systems

RESCARA



Rtc22

MİMARİ KATALOG

ARCHITECTURAL CATALOGUE

Alüminyum Kapı Pencere ve Giydirme Cephe Sistemleri
Aluminium Window Doors and Facade Systems



Rescara Sistem Detayları
Rescara System Details

Rtc22

PROFİLLER

PROFILES

01

02

03

04

05

06

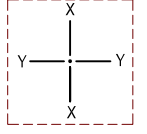
07

08

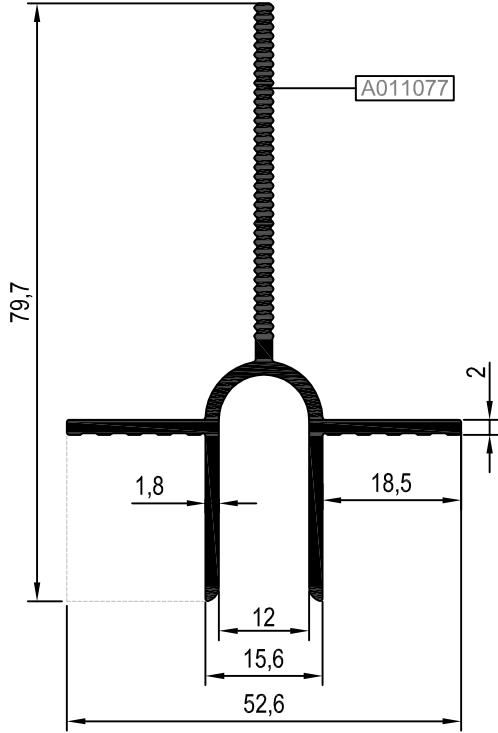
09

10

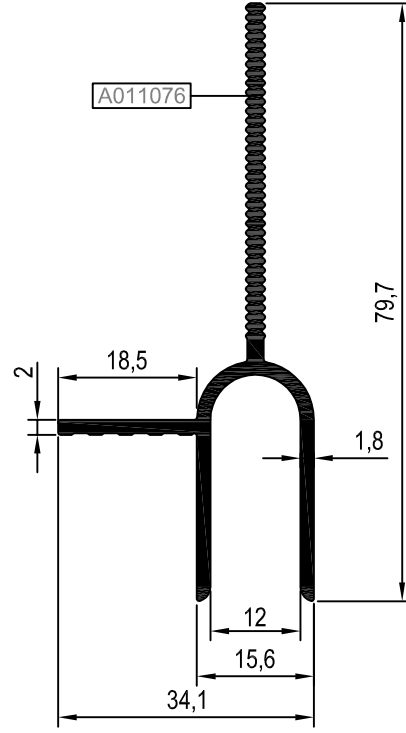
KOD / CODE	AĞIRLIK (kg/m) / WEIGHT	Jxx cm4	Jyy cm4	L m
TC22 M 01	0,813	12,260	2,771	6
TC22 M 02	0,718	11,938	1,507	6
TC22 M 05	0,663	9,328	2,495	6
TC22 M 06	0,216	0,406	0,304	6
TC22 M 07	0,278	0,503	0,338	6



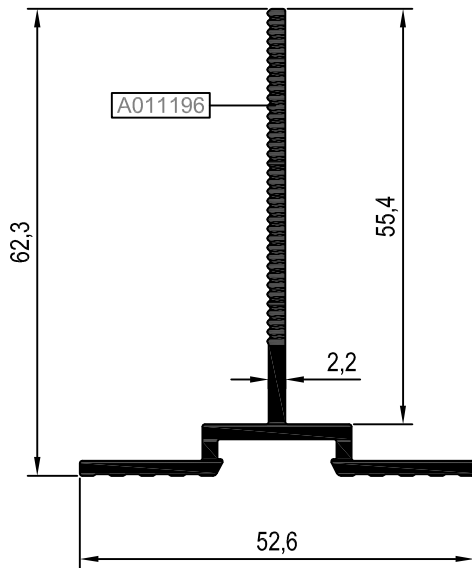
TC22 M 01



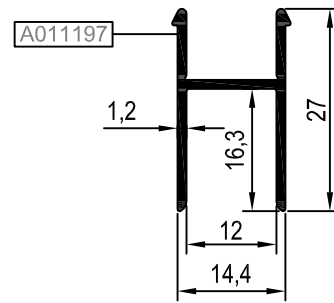
TC22 M 02



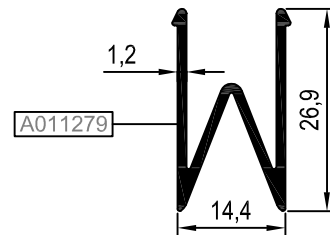
TC22 M 05



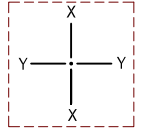
TC22 M 06



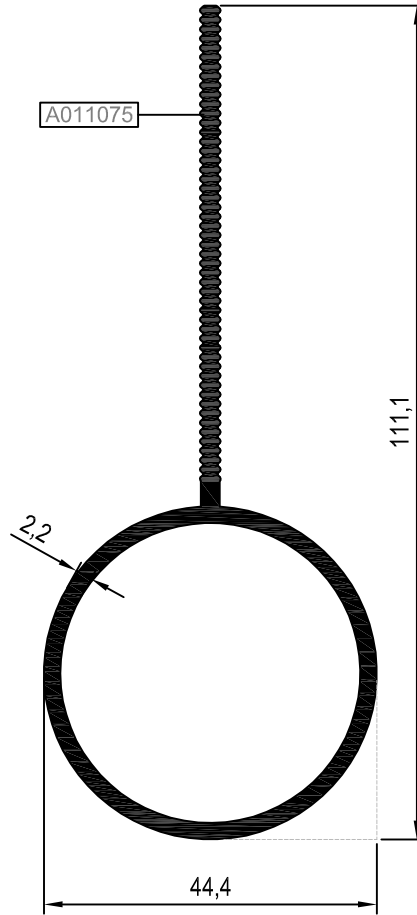
TC22 M 07



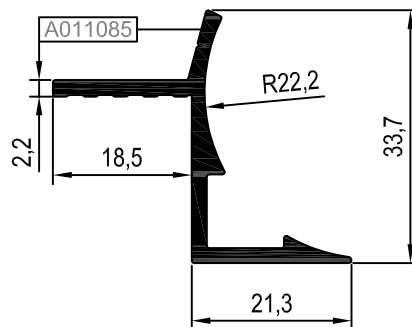
KOD / CODE	AĞIRLIK (kg/m) / WEIGHT	Jxx cm ⁴	Jyy cm ⁴	L m
TC22 M 03	1,225	44,280	6,512	6
TC22 M 04	0,409	1,650	1,006	6



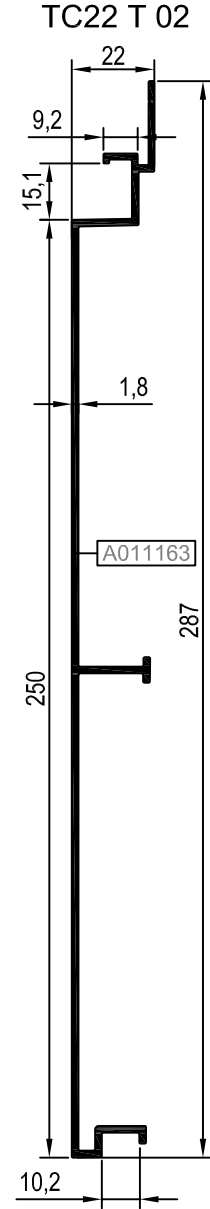
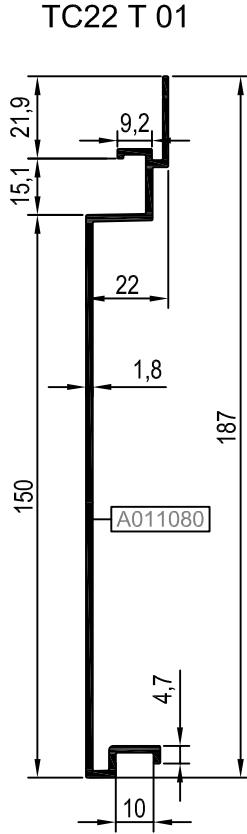
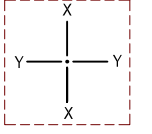
TC22 M 03



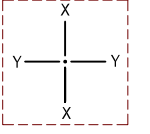
TC22 M 04



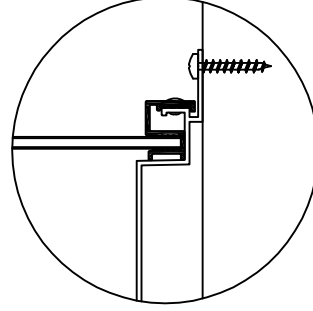
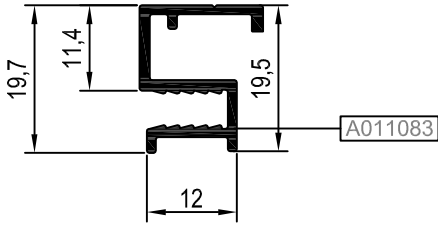
KOD / CODE	AĞIRLIK (kg/m) / WEIGHT	Jxx cm4	Jyy cm4	L m
TC22 T 01	1,175	2,406	153,600	6
TC22 T 02	1,780	3,196	507,850	6



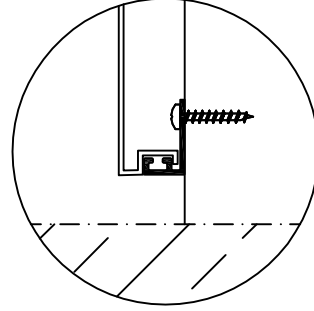
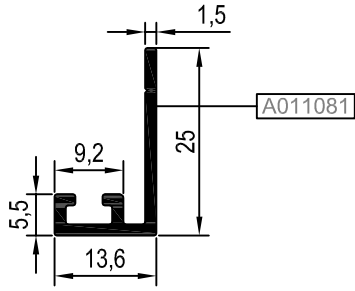
KOD / CODE	AĞIRLIK (kg/m) / WEIGHT	L m
TC22 A 01	0,231	6
TC22 A 02	0,194	6
TC22 A 03	0,339	6
TC22 A 04	0,200	6



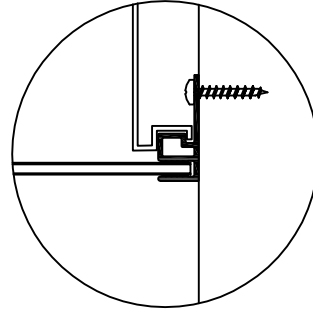
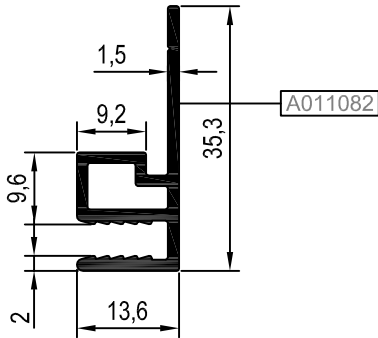
TC22 A 01



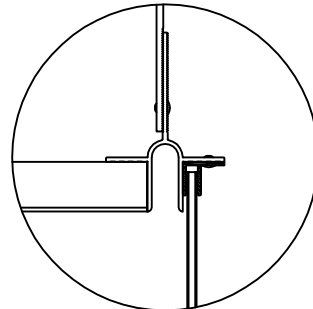
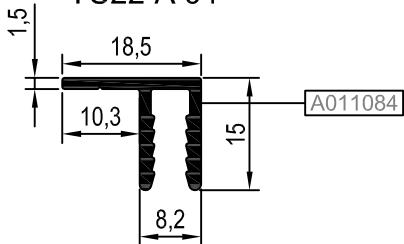
TC22 A 02



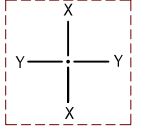
TC22 A 03



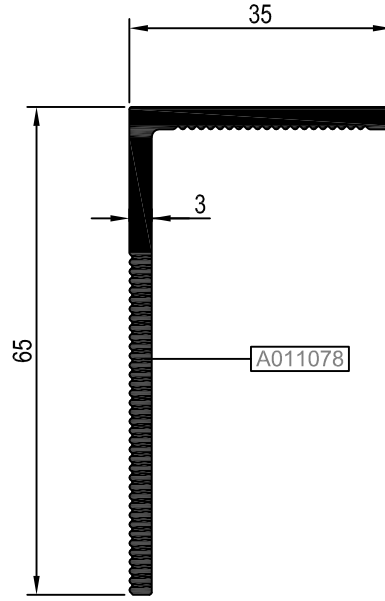
TC22 A 04



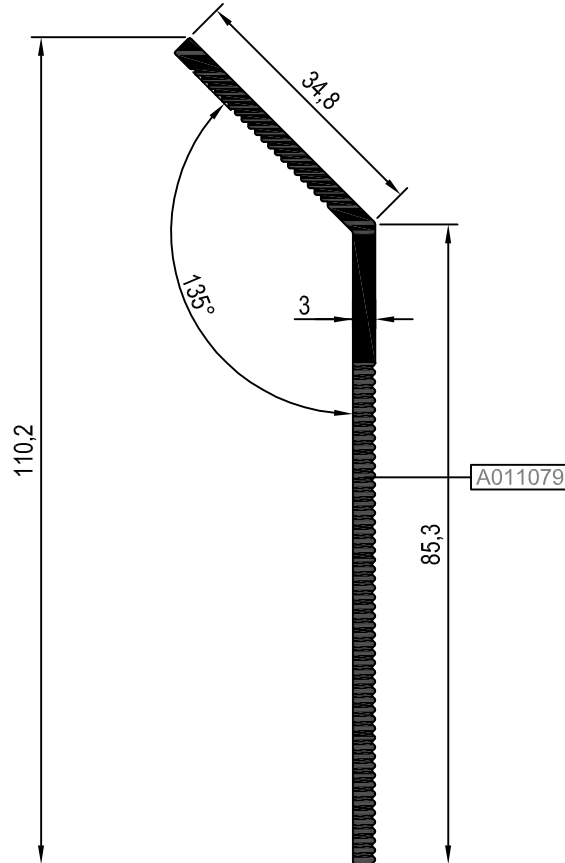
KOD / CODE	AĞIRLIK (kg/m) / WEIGHT	Jxx cm4	Jyy cm4	L m
TC22 C 01	0,750	12,327	2,651	6
TC22 C 02	0,919	35,515	1,511	6



TC22 C 01



TC22 C 02



MİMARİ KATALOG

ARCHITECTURAL CATALOGUE

Alüminyum Kapı Pencere ve Giydirme Cephe Sistemleri
Aluminium Window Doors and Facade Systems



Rescara Sistem Detayları
Rescara System Details

Rtc22

DETAYLAR

DETAILS

01

02

03

04

05

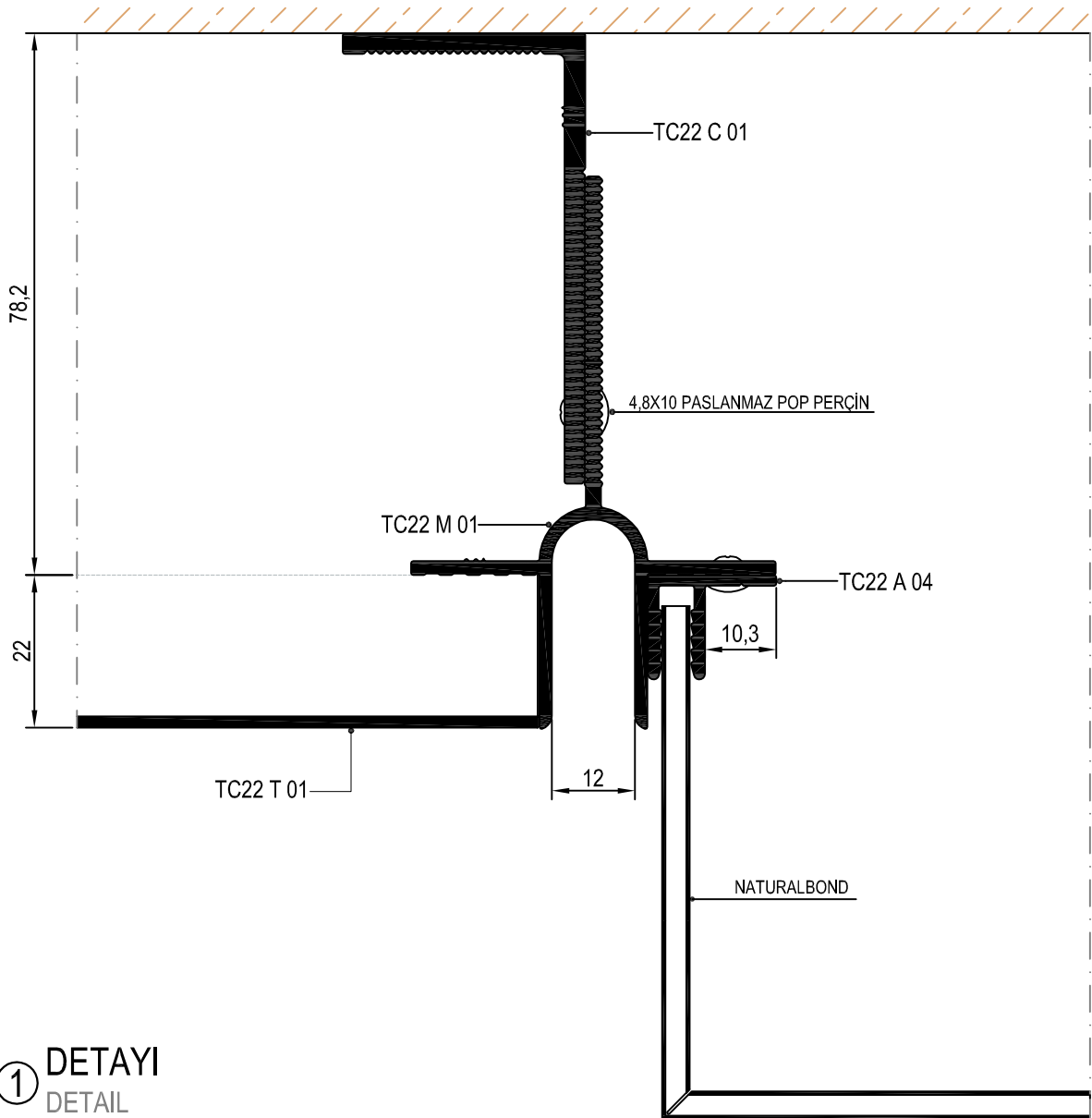
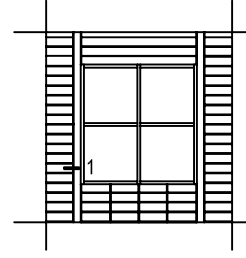
06

07

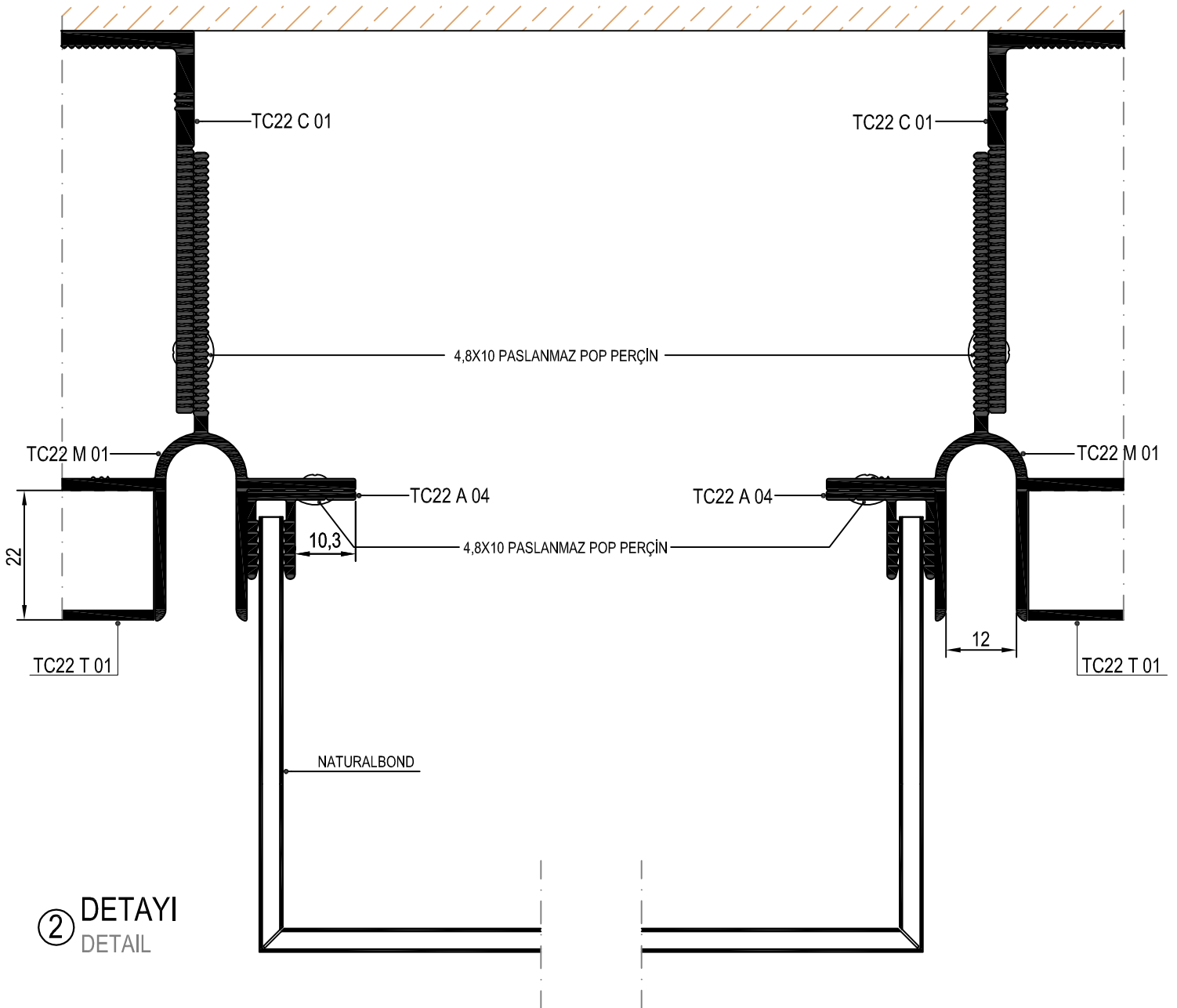
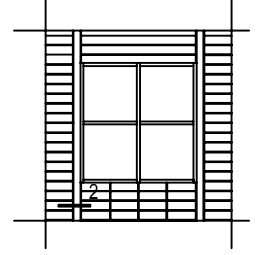
08

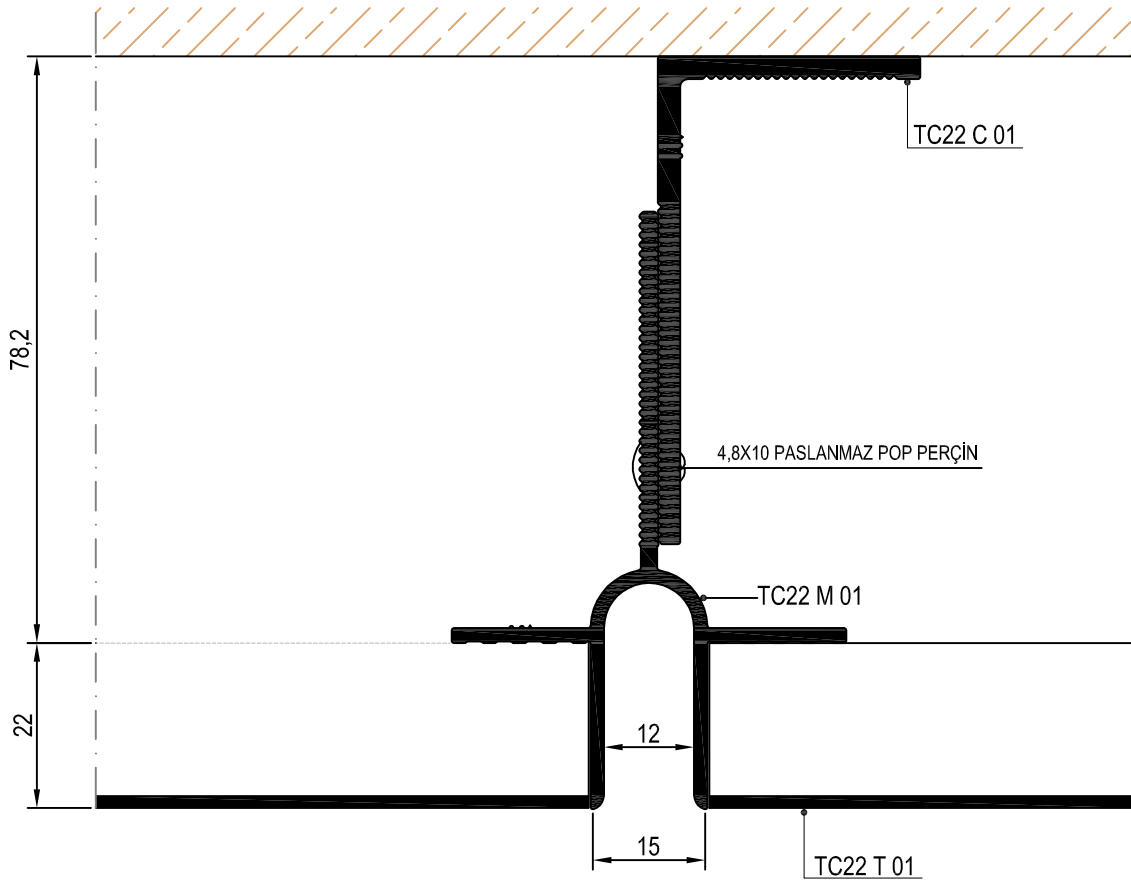
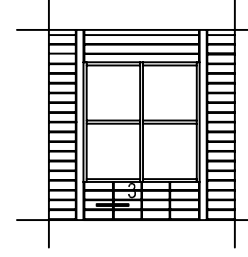
09

10



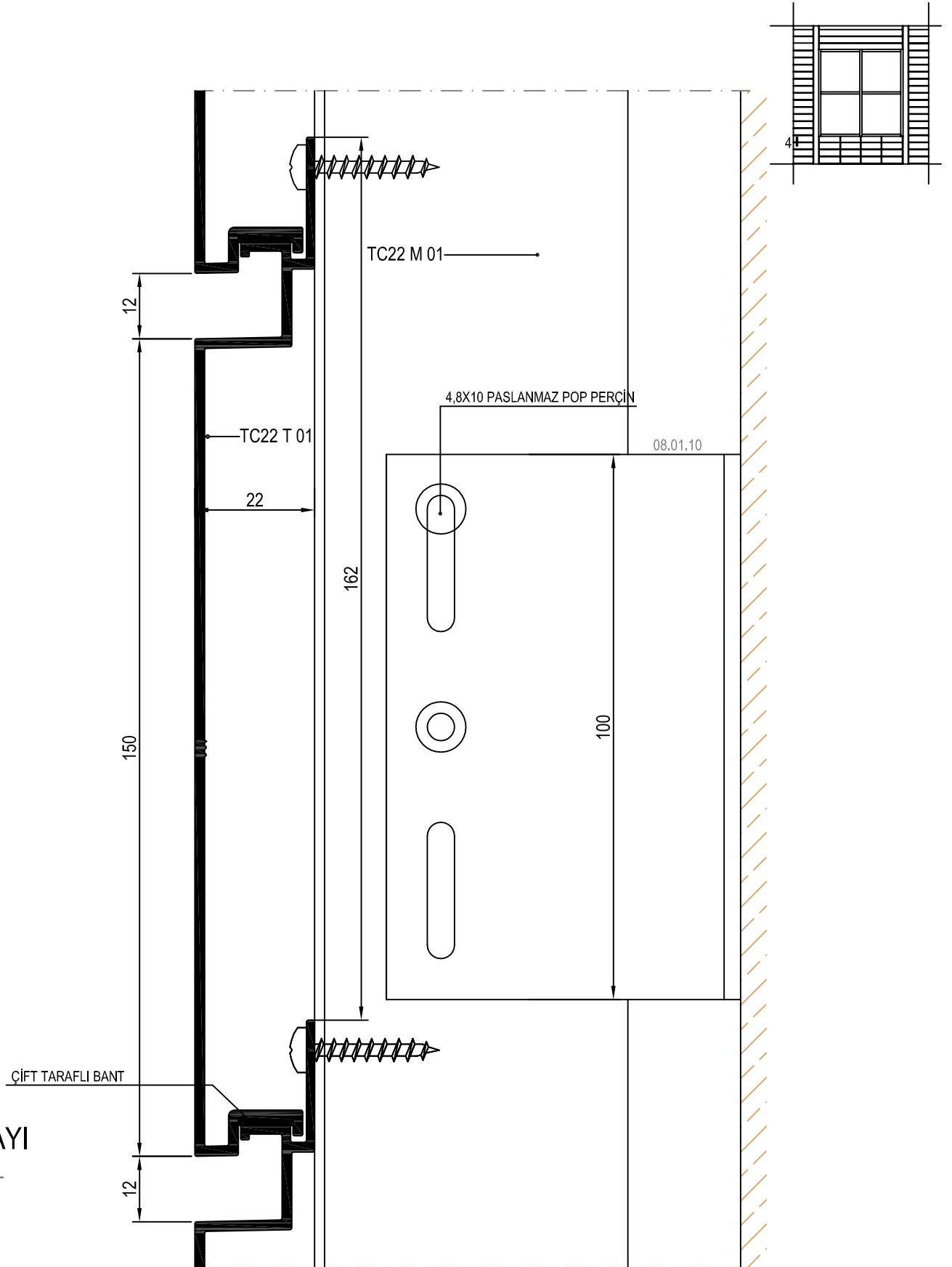
① DETAYI
DETAIL

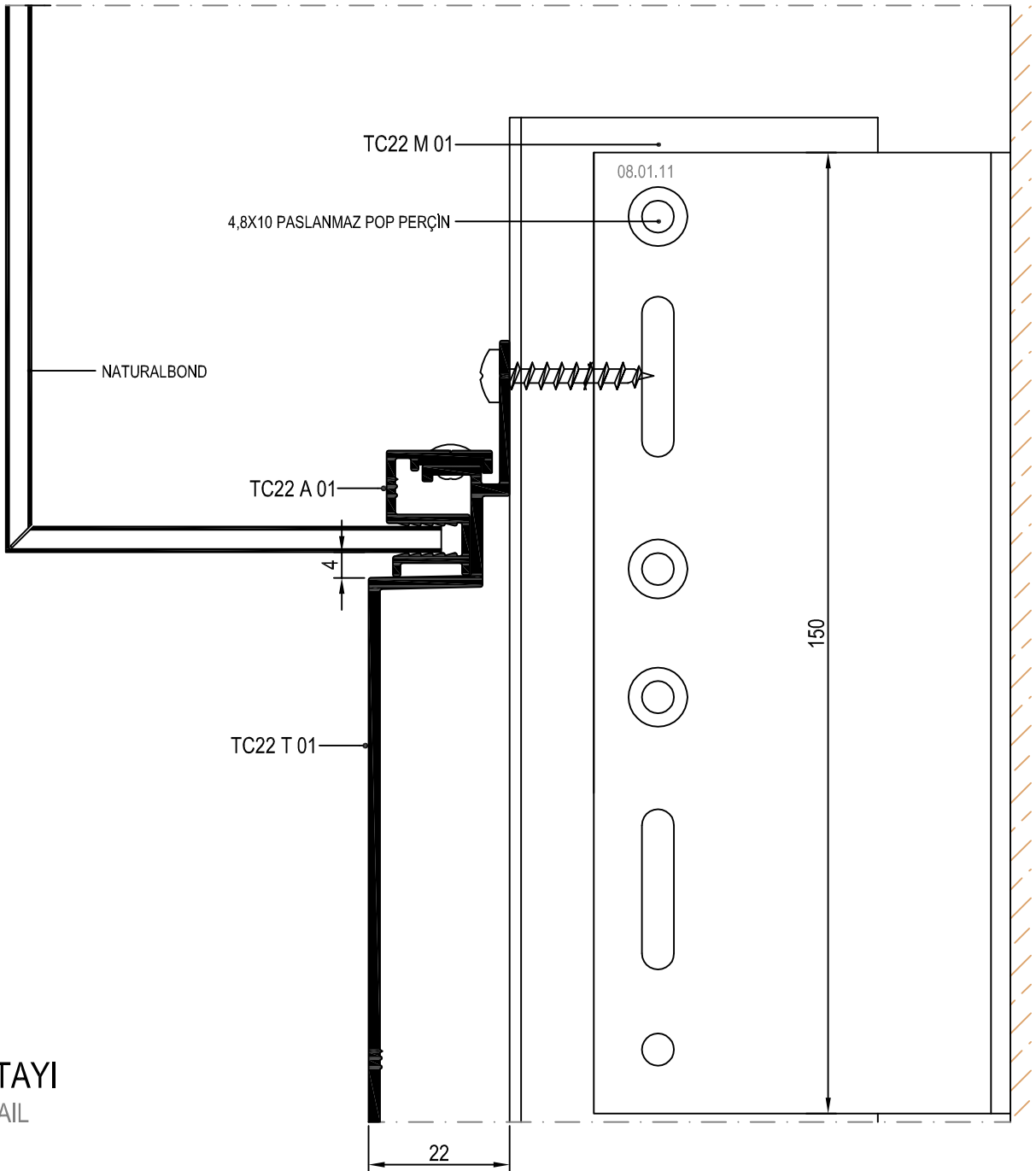
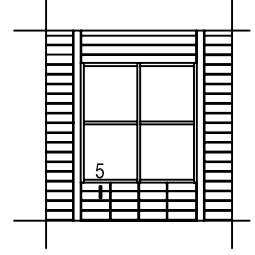


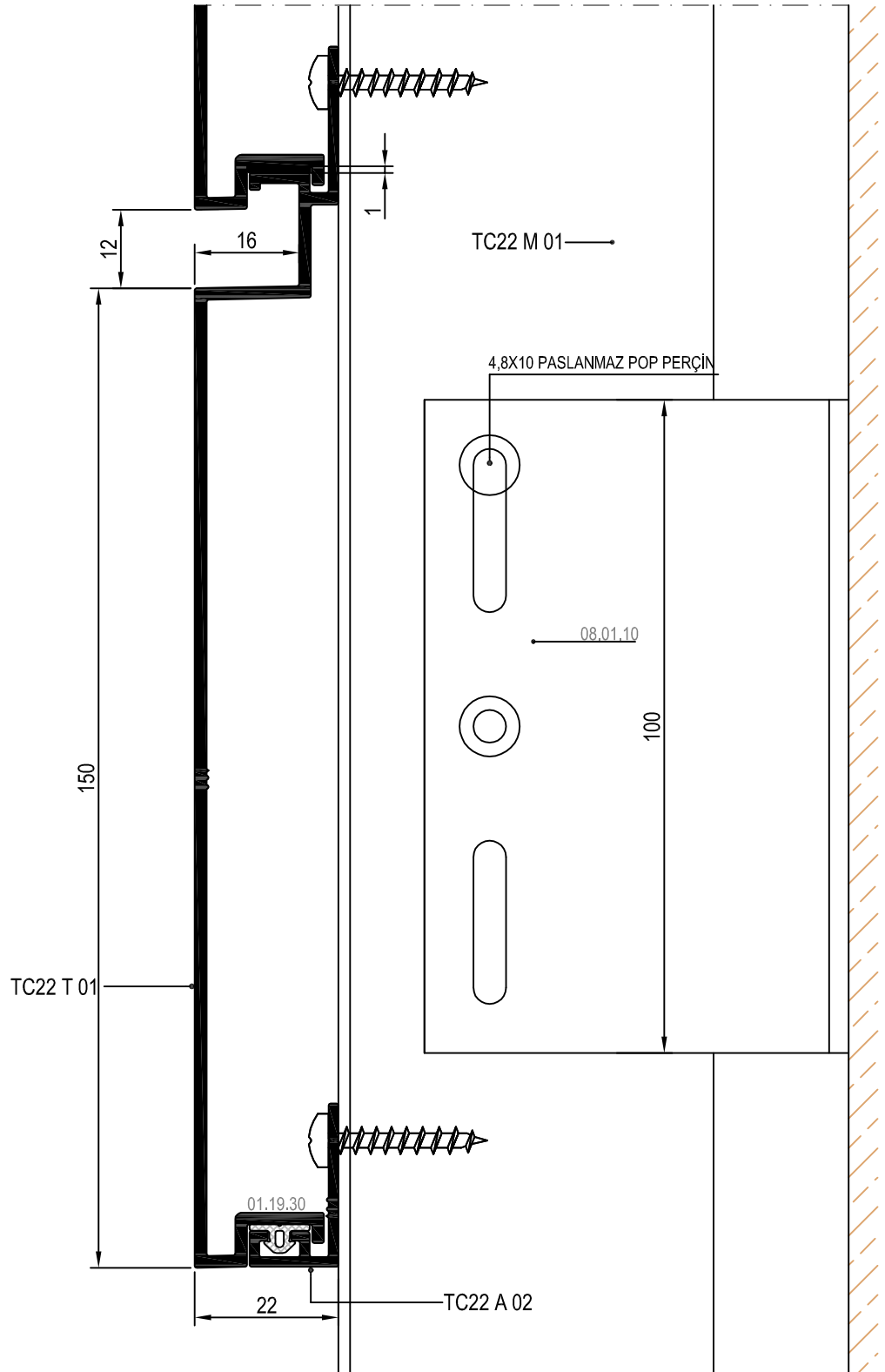
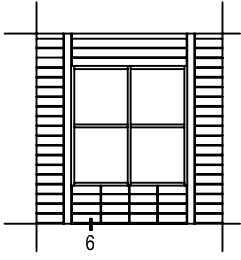


③ DETAYI
DETAIL

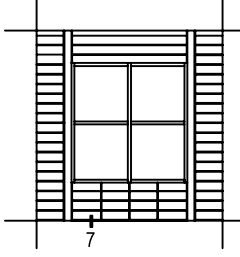
④ DETAYI
DETAIL







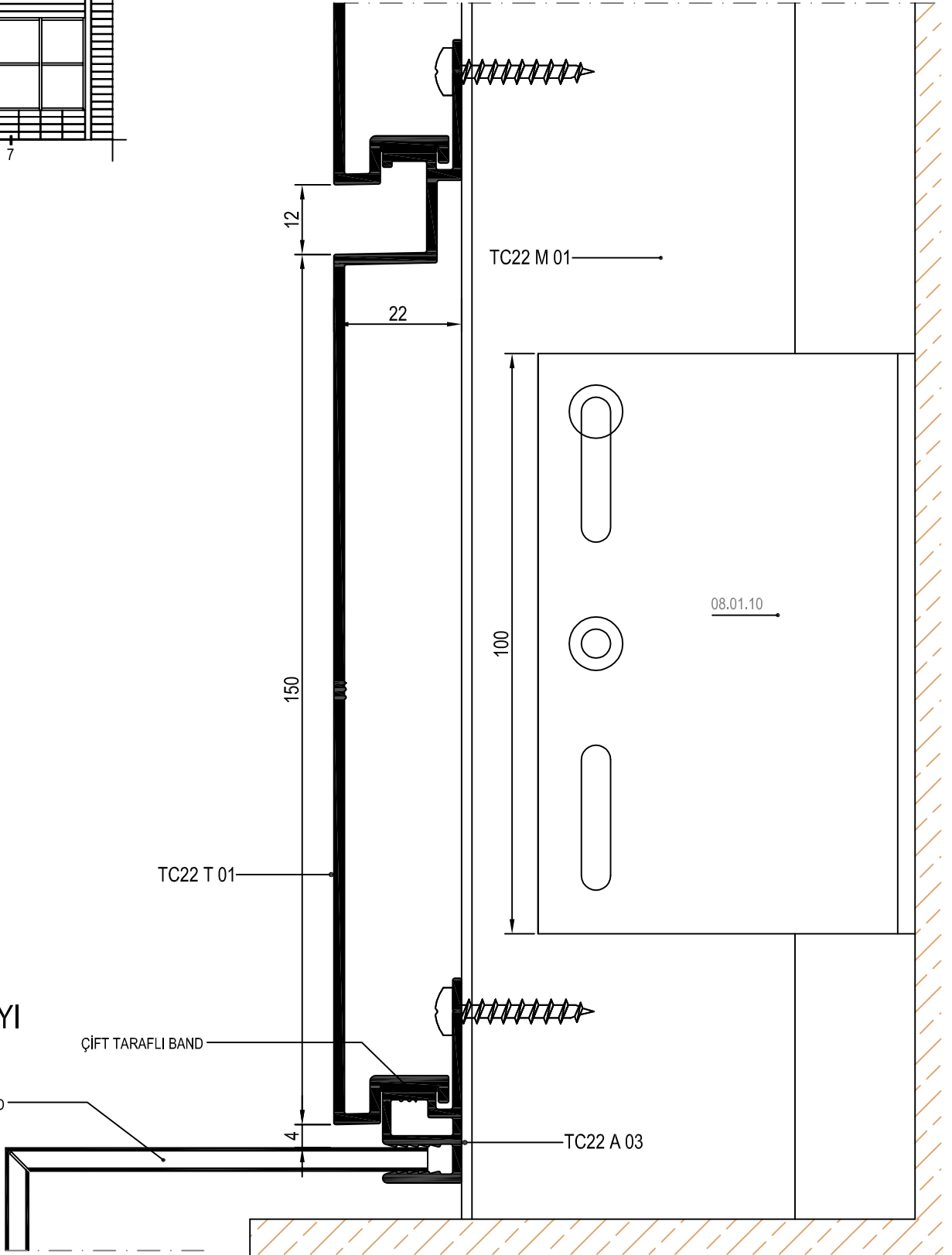
⑥ DETAYI
DETAIL

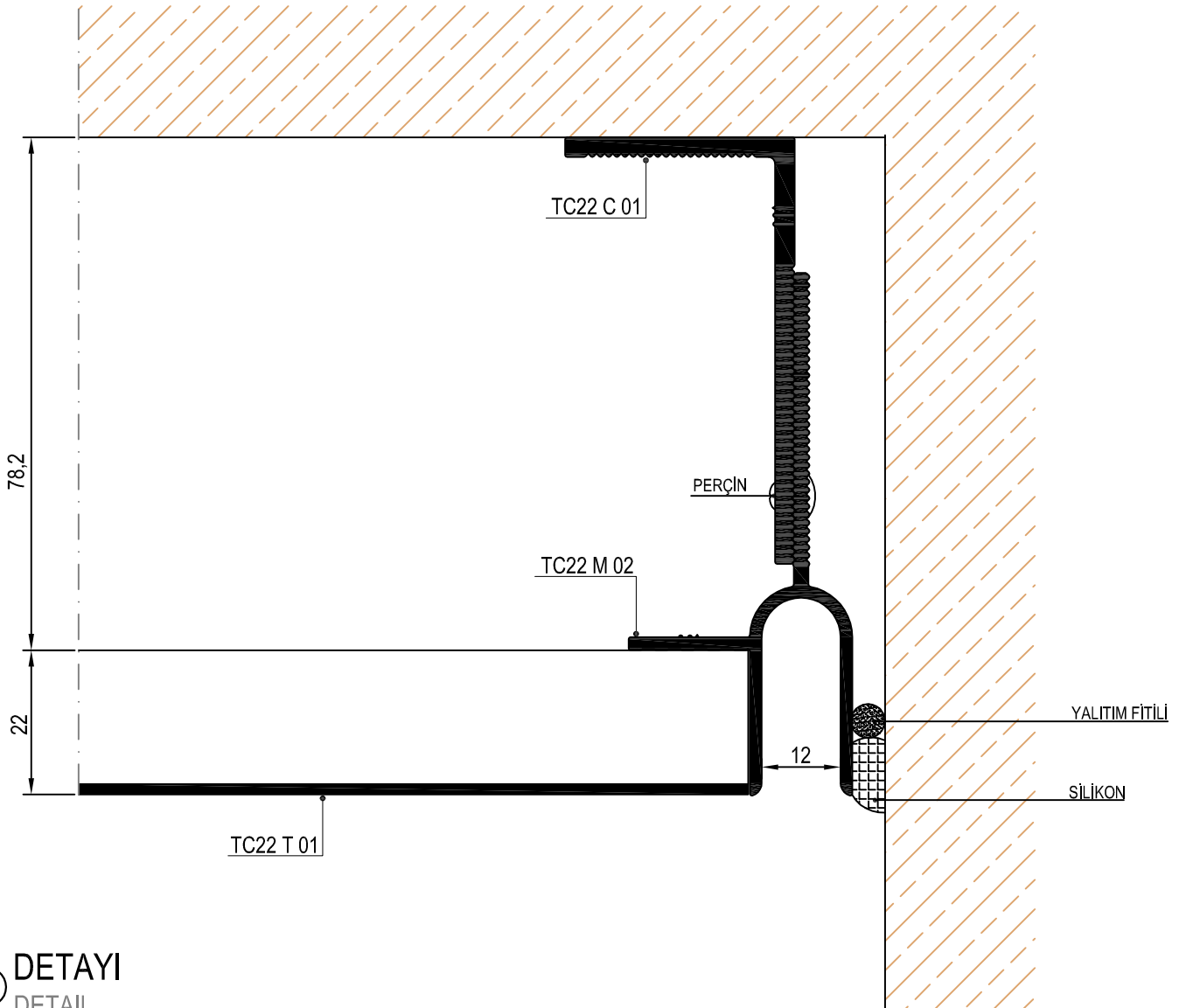
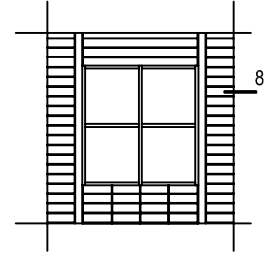


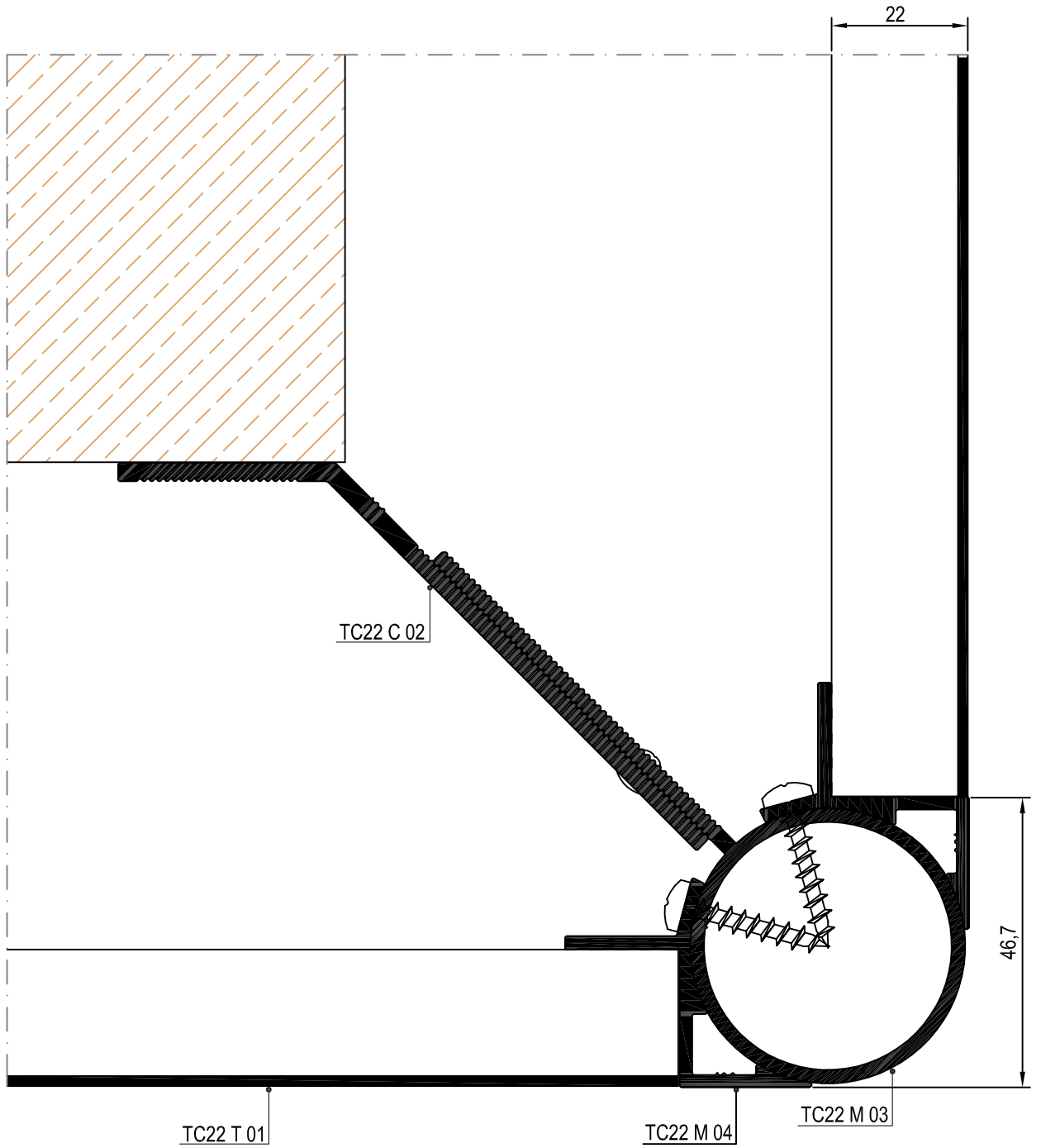
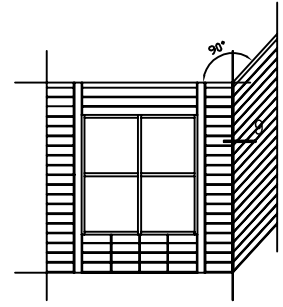
⑦ DETAYI
DETAIL

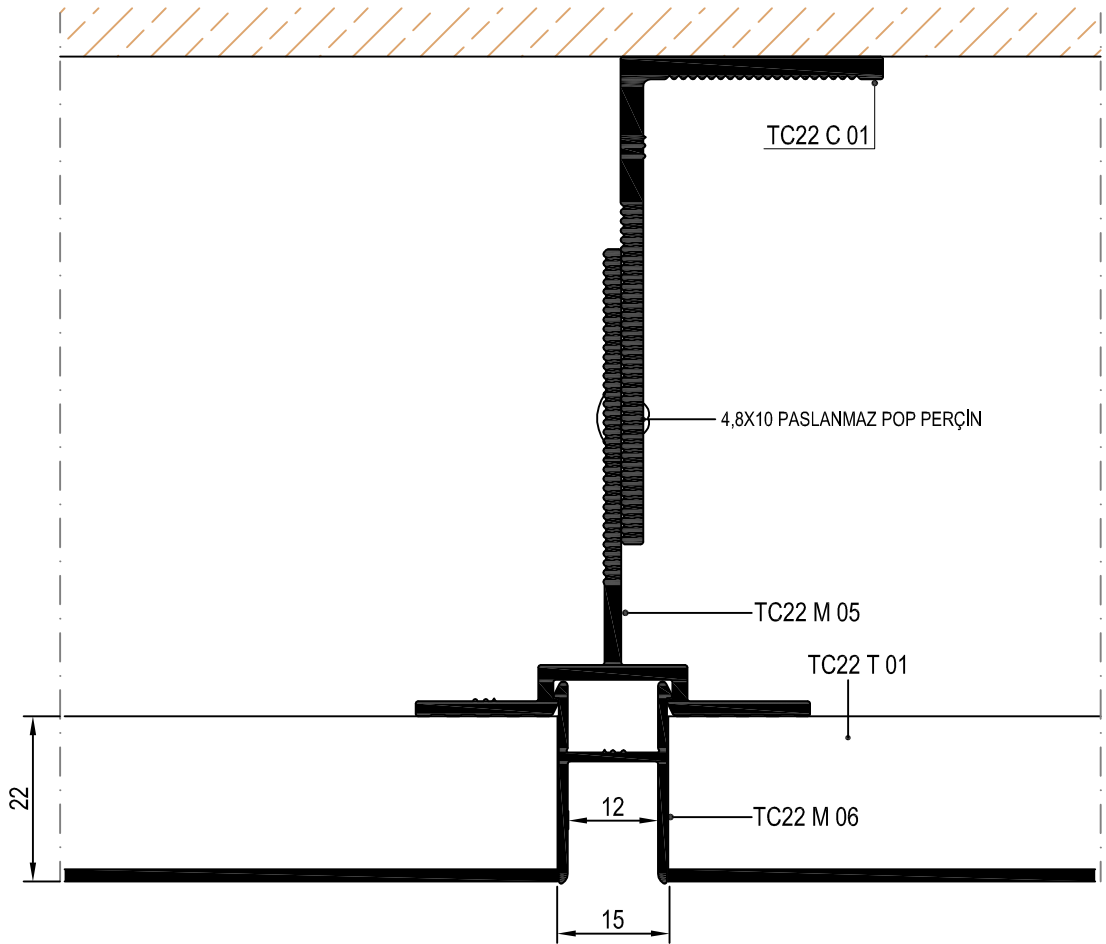
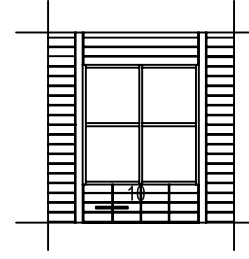
NATURALBOND

ÇİFT TARAFLI BAND









⑩ DETAYI
DETAIL

MİMARİ KATALOG

ARCHITECTURAL CATALOGUE

Alüminyum Kapı Pencere ve Giydirme Cephe Sistemleri
Aluminium Window Doors and Facade Systems



Rescara Sistem Detayları
Rescara System Details

Rtc22

AKSESUARLAR

ACCESSORIES

01

02

03

04

05


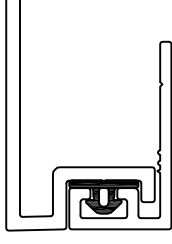
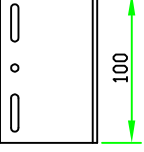
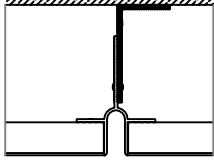
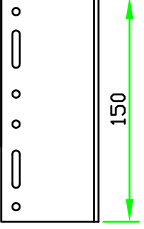
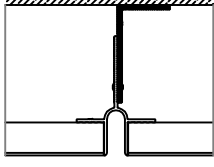
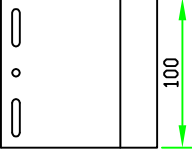
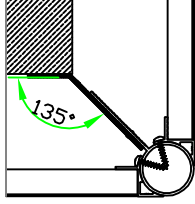
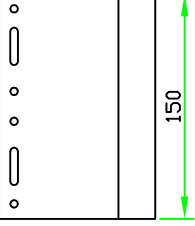
06

07

08

09

10

	<p>01.19.30</p> <p>BİNI FİTLİ GASKET</p> <p>Malzeme / Material : EPDM Ağırlık / Weight : 27 gr/m Paket / Package: 555 m / 15 kg</p>				
	<p>08.01.10</p> <p>100'LÜK ANKRAJ ANCHORAGE (100)</p>				
	<p>08.01.11</p> <p>150'LİK ANKRAJ ANCHORAGE (150)</p>				
	<p>08.01.12</p> <p>100'LÜK ANKRAJ ANCHORAGE (100)</p>				
	<p>08.01.13</p> <p>150'LİK ANKRAJ ANCHORAGE (150)</p>	