

**MİMARİ KATALOG**  
**ARCHITECTURAL CATALOGUE**

Alüminyum Kapı Pencere ve Giydirme Cephe Sistemleri  
Aluminium Window Doors and Facade Systems



**SN42**

**MİMARİ KATALOG**  
**ARCHITECTURAL CATALOGUE**

Alüminyum Kapı Pencere ve Giydirme Cephe Sistemleri  
Aluminium Window Doors and Facade Systems



Rescara Sistem Detayları  
Rescara System Details

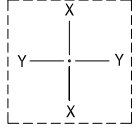
# SN42

**PROFİLLER**  

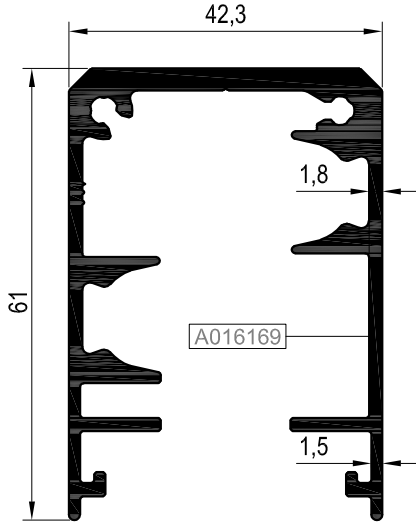
---

**PROFILES**

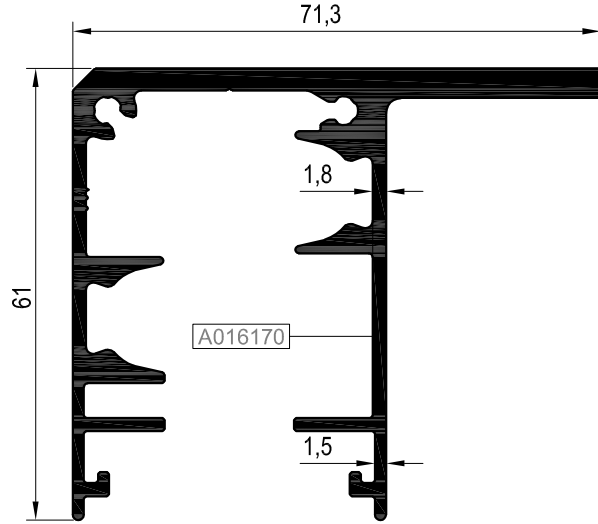
KOD / CODE	AĞIRLIK (kg/m) / WEIGHT	Jxx cm4	Jyy cm4	L m
SN42 F 01	1,438	15,071	19,328	6
SN42 F 02	1,767	28,153	23,802	6
SN42 V 01	0,535	1,689	3,227	6
SN42 V 02	0,531	1,667	3,126	6
SN42 M 01	0,430	0,518	1,540	6
SN42 A 01	0,089	---	---	6



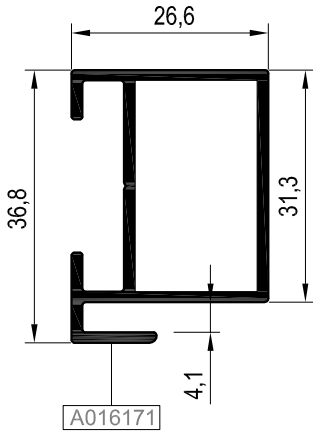
SN42 F 01



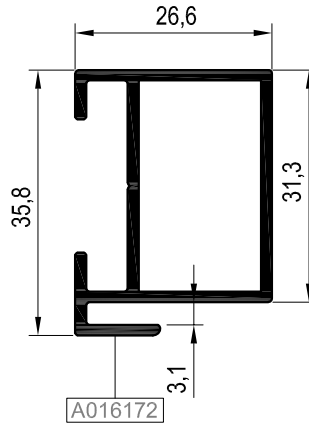
SN42 F 02



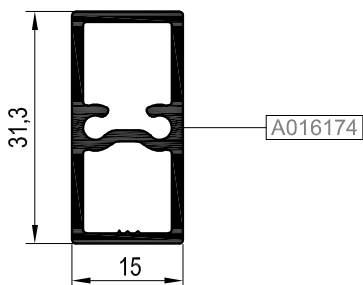
SN42 V 01



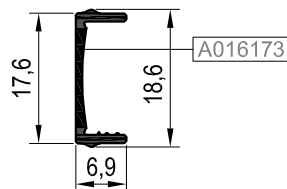
SN42 V 02



SN42 M 01



SN42 A 01



MİMARİ KATALOG  
ARCHITECTURAL CATALOGUE

Alüminyum Kapı Pencere ve Giydirme Cephe Sistemleri  
Aluminium Window Doors and Facade Systems



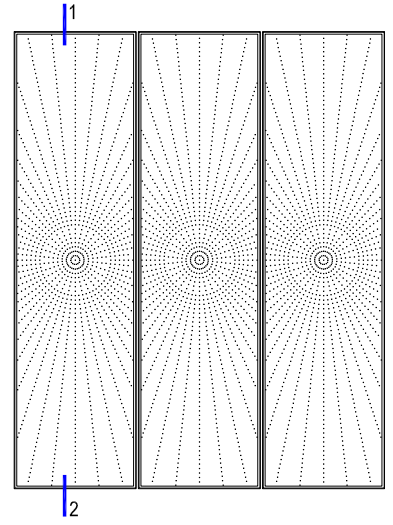
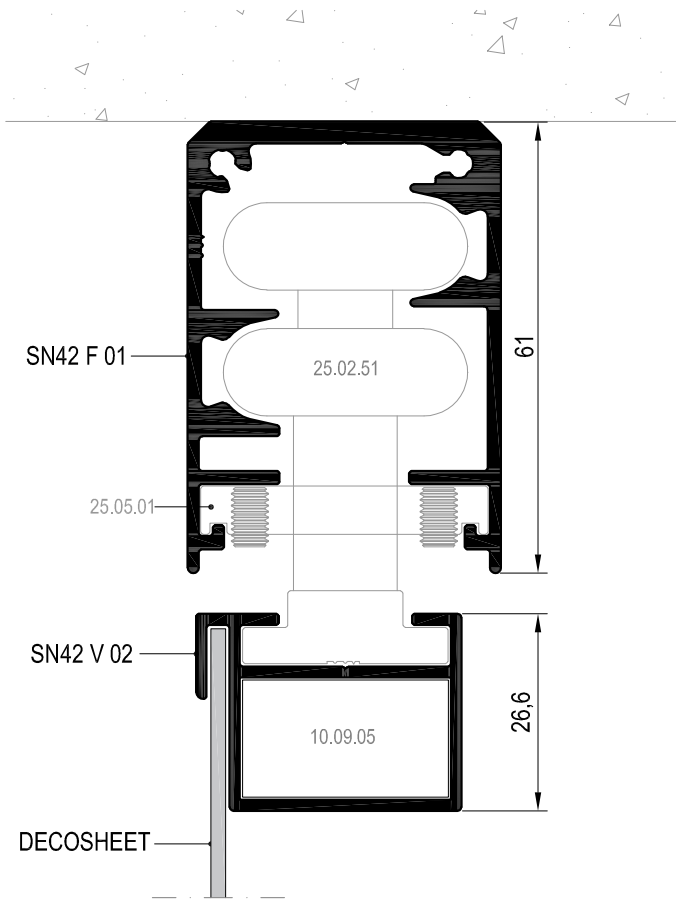
Rescara Sistem Detayları  
Rescara System Details

# SN42

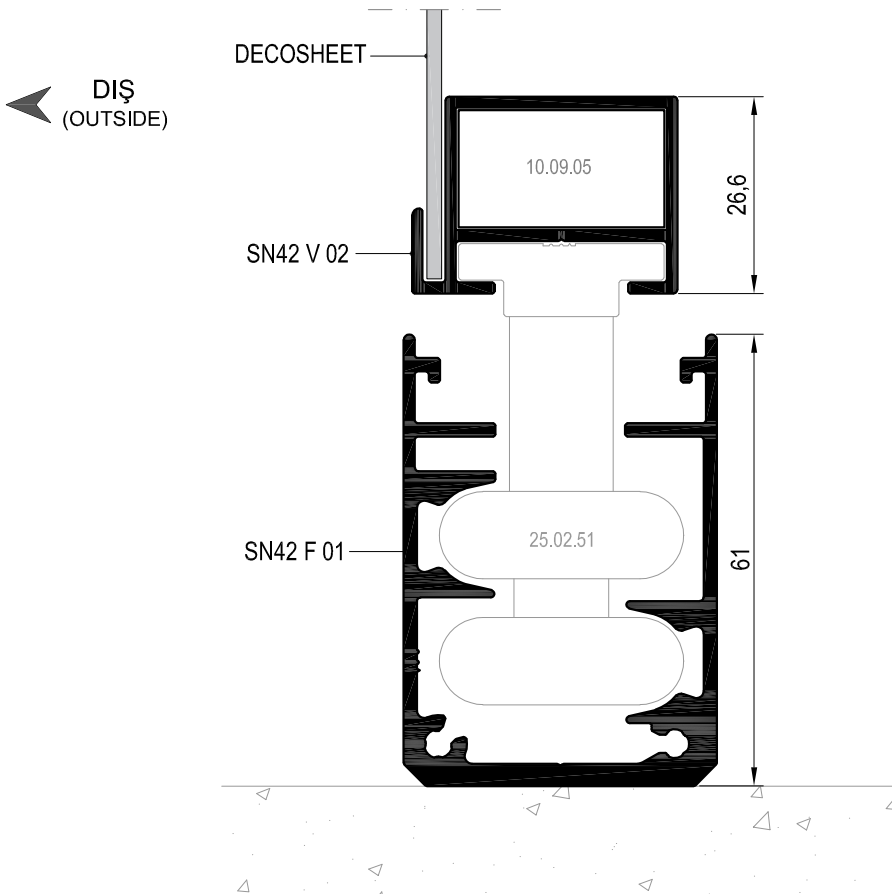
DETAYLAR

---

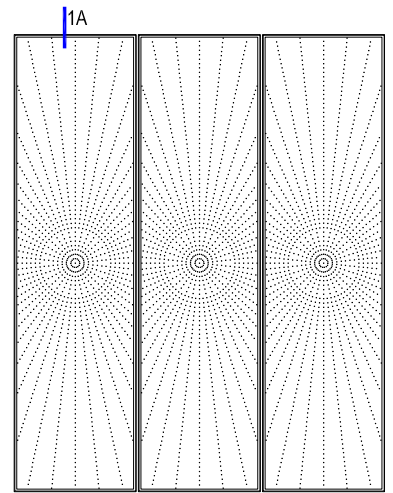
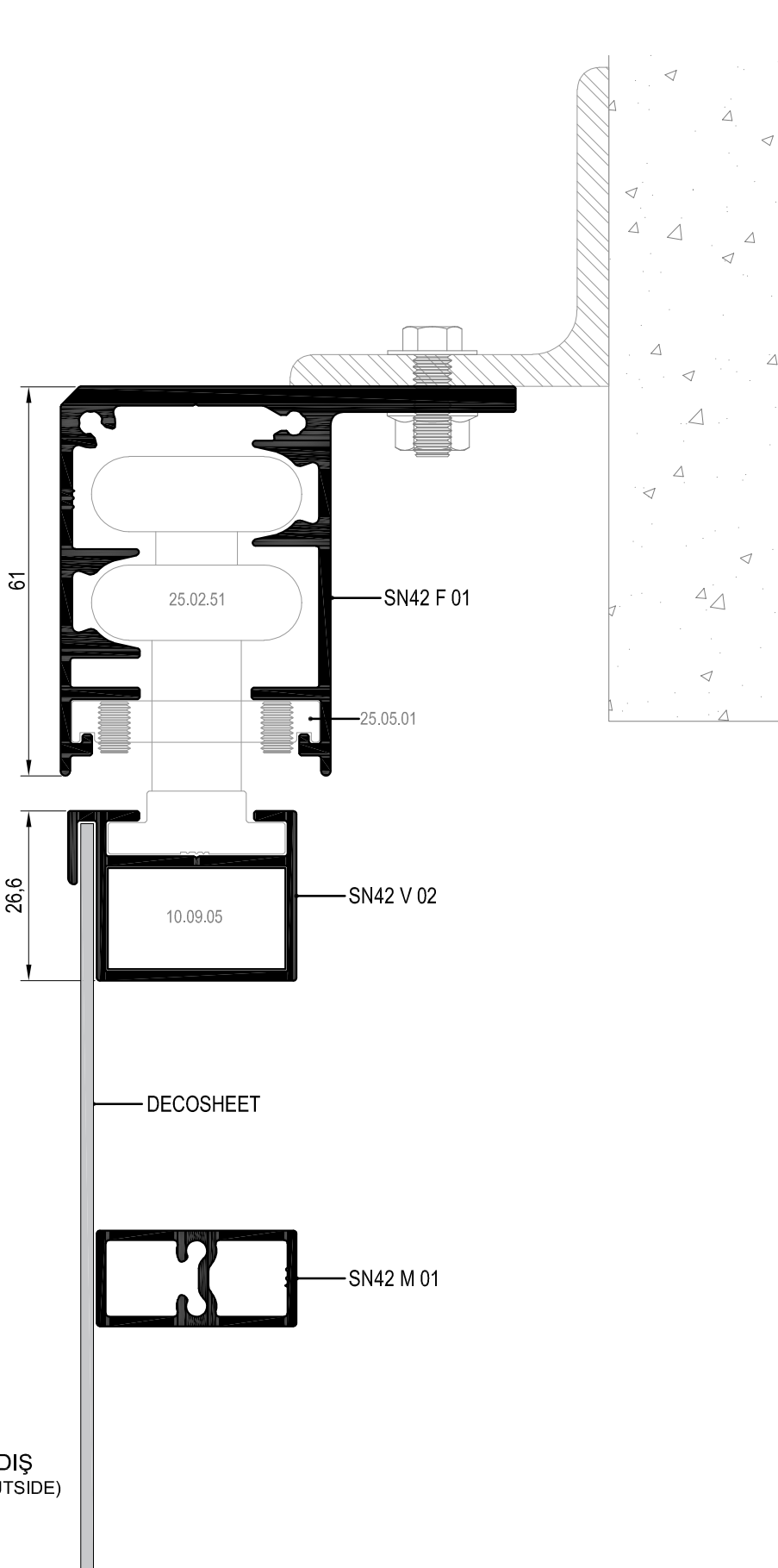
DETAILS

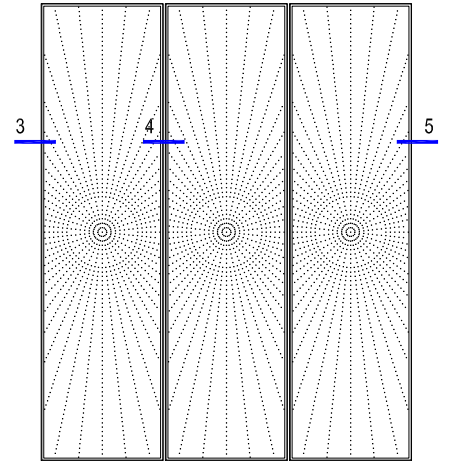
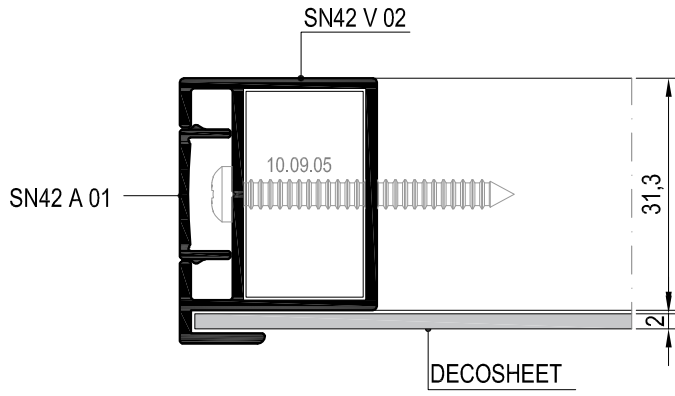


① DETAYI  
DETAIL



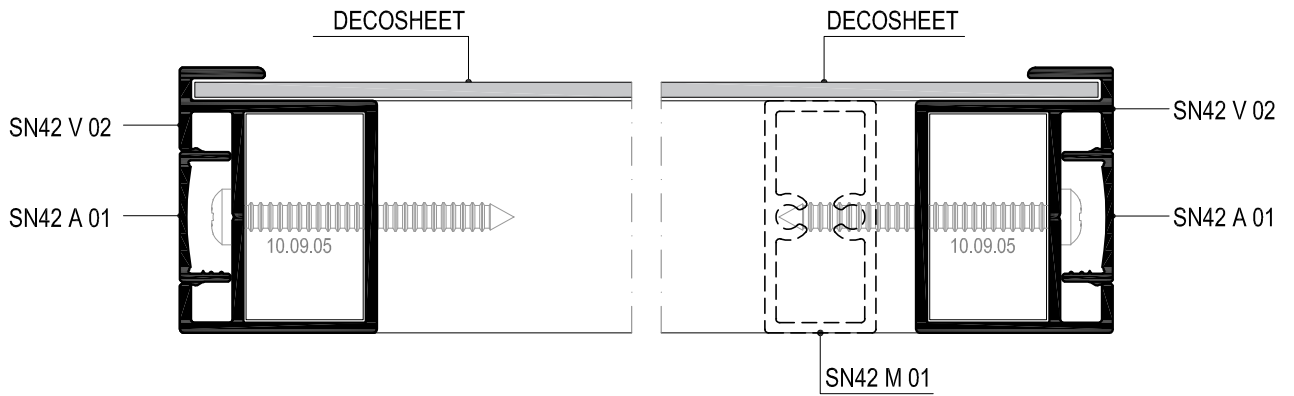
② DETAYI  
DETAIL





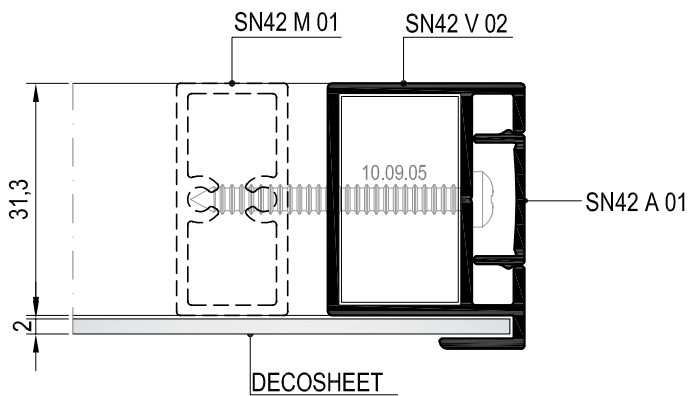
③ DETAYI  
DETAIL

DIŞ  
(OUTSIDE)



④ DETAYI  
DETAIL

DIŞ  
(OUTSIDE)



⑤ DETAYI  
DETAIL

DIŞ  
(OUTSIDE)



**MİMARİ KATALOG**  
**ARCHITECTURAL CATALOGUE**

Alüminyum Kapı Pencere ve Giydirme Cephe Sistemleri  
Aluminium Window Doors and Facade Systems



Rescara Sistem Detayları  
Rescara System Details

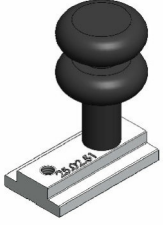
# SN42

**AKSESUARLAR**  

---

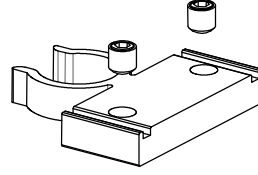
**ACCESSORIES**





25.02.51

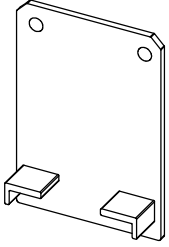
RULMAN  
ROLLER



25.05.01

STOPER  
STOPER

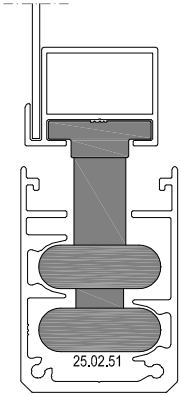
Malzeme / Material : PVC



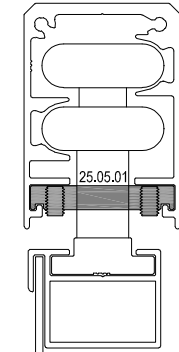
25.05.02

KAPAK  
CAP

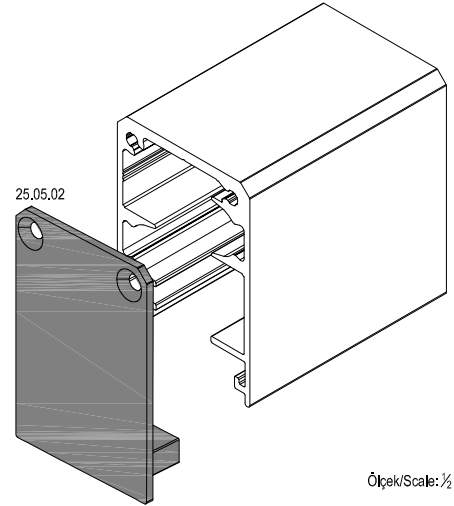
Malzeme / Material : PVC



Ölçek/Scale: ½



Ölçek/Scale: ½



Ölçek/Scale: ½